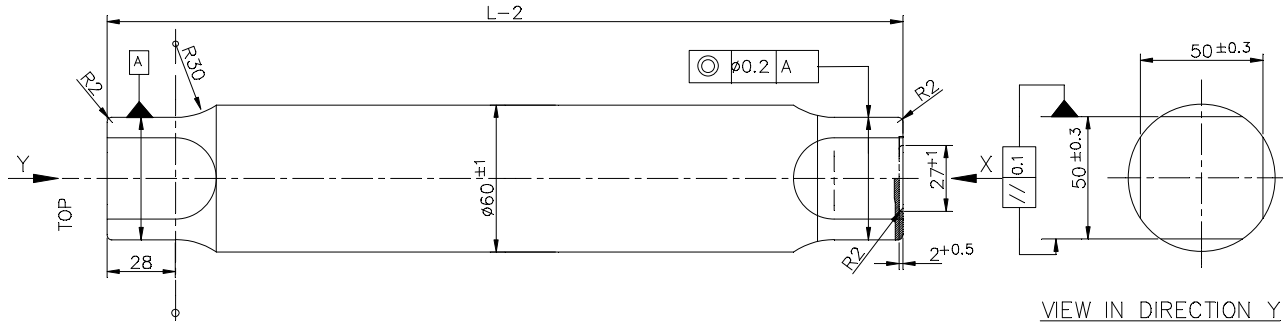
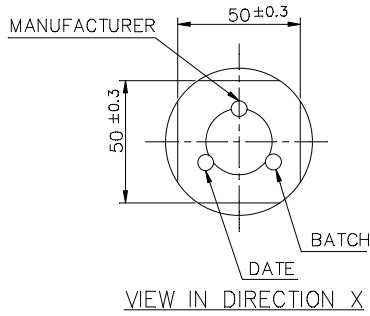


THE INFORMATION ON THIS DOCUMENT IS THE PROPERTY OF BHARAT HEAVY ELECTRICALS LIMITED IT MUST NOT BE USED DIRECTLY OR INDIRECTLY IN ANY WAY DETRIMENTAL TO THE INTEREST OF THE COMPANY

FIRST ANGLE PROJECTION

(ALL DIMENSIONS ARE IN mm)

DRG. NO. 5L62472



PART.NO.	VOLTAGE CLASS(KV)					Dim.L
	M	MΔ	MΔ Bet.Ph.	L Long	T Short	
5200374	30				-	153
5200375	60	60			60	178
5200412				60	-	208
5200418			60		-	278
5200376	110	110			110	308
5200413				110	-	338
5200377	150		110	150	150	438
5200369	220			220	220	538
5200370	300			300	300	690

VAR 00	REMARKS	VAR. NO.	ITEM NO.	DESCRIPTION	ST.D.	DRAWING NO.	IT.ND	MATL. CODE	C/A	UNIT	UNIT WT.	QTY.	G.S.	ZONE
			001	CALCINED SILICA FLOUR REINFORCED EPOXY MOULDING				BP22462		KG.				
							VAR	MATL. SPECN.						

ADDITIONAL INFORMATION	
-	
STATUS OF DRAWING B	
DISTRIBUTION OF PRINTS	
SWE - 1	TCX -1
SWM - 3	

mRikn dk i-dkj .k xk-gd@ifj.kstuk dk uke TYPE OF PRODUCT OR NAME OF CUSTOMER/PROJECT		HAKjr gsho bysIDV&dYI fyfeVsM HAKsiky BHARAT HEAVY ELECTRICALS LTD. BHOPAL		uk:k DRN	AKU	gLrk@ SIGN	Sd/-	fnaukd@DATE	14.5.82	osfl_dh la[k NO. OF VAR
IWpk CKD		BSR		vuqeksfm APPD	RKS	Sd/-		01.6.82		
vls_M8kbZax dk lanHAZ REF. TD ASSY. DRG.		en d_ ITEM NO.		06.6.82						

INVENTORY NO.	REV.	DATE	ALTERED	AKU	Sd/-	REV.	DATE	ALTERED	AKU	Sd/-	
			CHECKED	SKP	Sd/-		04	29.12.09	CHECKED	SKP	Sd/-
			APPROVED	AKI	-sd-				APPROVED	AKI	-sd-
			PART NO 5200370 ADDED					DRG. REDRAWN			
			(DCA NO. 29456)					(DCA NO. 26959)			

foHAKx DEPT SWE	vu_Viy_uki dh Js.kh UNTDL.BIMS. GR.	vuqjr SCALE	1:2	HAKj fd_xk_ WEIGHT (KG)	-	en d_ ITEM NO.	03
dkm CODE	409	'kh"AZd@TLE		vkjsjA d-a@DRAWING NO. 5L62472		i-B d-a@SHT. No. 01	
COUPLING SHAFT				i-Bksa dh la[k@ NO. OF SHT. 01		A3	