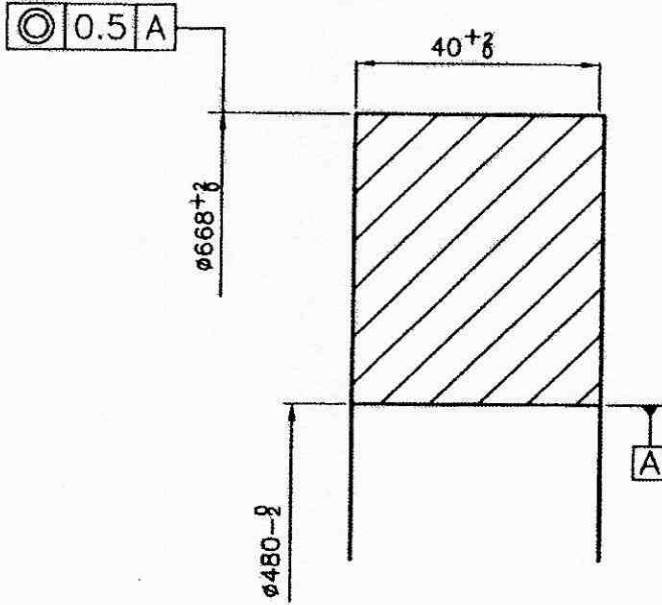


FIRST ANGLE PROJECTION

(ALL DIMENSIONS ARE IN mm)

REV.	DATE	ALTERED	REV.	DATE	ALTERED	ADP	ADDITIONAL INFORMATION
			01	08.01.07		AL	W.O. 45236A421-41/42
		CHECKED					STATUS OF DRAWING
TOL.REV.AS PER MOM REF.PPX: MM/EM DATED 13.08.2004 DRG.REDRAWN.							DISTRIBUTION OF PRINTS OC-1, PLM-3 GTG(EM)-1

THE INFORMATION ON THIS DOCUMENT IS THE PROPERTY OF BHARAT HEAVY ELECTRICALS LIMITED. IT MUST NOT BE USED DIRECTLY OR INDIRECTLY IN ANY WAY DETRIMENTAL TO THE INTEREST OF THE COMPANY.



TECHNICAL REQUIREMENTS-

1. MATERIAL SPECN.- AA 19801
2. RING TO BE MACHINED ALL OVER. FINISH $3.2 \sqrt{\mu}$
3. EACH RING TO BE ULTRASONICALLY TESTED AS PER AM54155.

REF. Dwg. No.	001	S.C.RING (ORDERING)	60.5
REMARKS	ITEM No.	DESCRIPTION	UNIT WT.
	75		60.5
	25		
	27		
	29		
	58		
	59		
	34	MATL CODE	UNIT
	46	MATL SPECN.	QTY.

CARD TYPE 3	28	CARD TYPE 1	28	CARD TYPE 2
DATE	11.10.06	NAME	L.PATEL	SIGN
				-Sd-

DEPT.	AME	GRADE	SCALE	WEIGHT (kg)	REF. TO ASSY. Dwg.	ITEM No.	75	77
CODE	404	OF UNL. TOL. DIM. C/W/F	N.T.S	60.5		No. OF ITEMS	23	24
TITLE	S.C. RING (ORDERING)			CARD CODE	7 DRAWING No.	REV.	01	
					44028045469			
					SHEET No. 01	No. OF SHEETS	01	

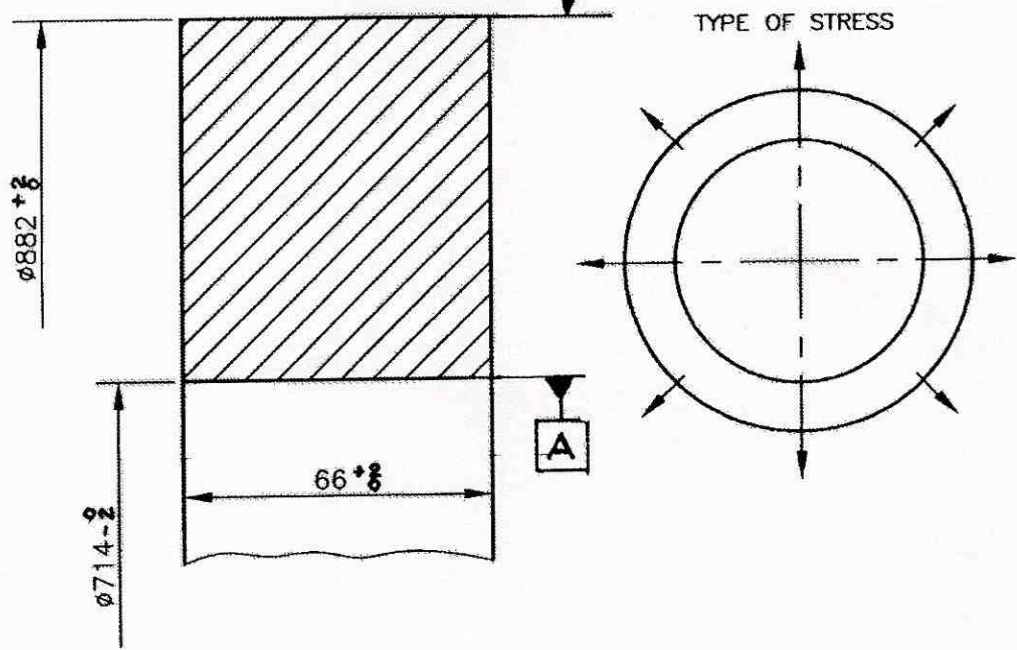
LP/ROTOR/44028045469

FIRST ANGLE PROJECTION

(ALL DIMENSIONS ARE IN mm)

THE INFORMATION ON THIS DOCUMENT IS THE PROPERTY OF BHARAT HEAVY ELECTRICALS LIMITED. IT MUST NOT BE USED DIRECTLY OR INDIRECTLY IN ANY WAY DETRIMENTAL TO THE INTEREST OF THE COMPANY.

REV 02	DATE 16.04.05	ALTERED CHECKED APPROVED	REV 01	DATE 8.4.04	ALTERED CHECKED APPROVED	ADDITION INFORMATION W.O. 43236A421-31
MATERIAL SPCN, AA19801 ADDED.			MATERIAL WAS AA19801			STATUS OF DRAWING
REV 03	DATE 26.04.05	ALTERED CHECKED APPROVED	REV 04	DATE 12.06.04	ALTERED CHECKED APPROVED	DISTRIBUTION OF PRINT AME-1 PLM-3 GTG(EM)-1
T.R. 2 MODIFIED.			TOL. REQ AS PER MOM REF. PPX: MM/EM DT. 13/04			FINISH 12.5/ ALLOVER



TECH. REQUIREMENTS :-

- ITEM 01 TO BE ULTRASONICALLY TESTED AS PER AM 54155.
- MATERIAL :- SE-CU F20 TO DIN 1787/17678 OR AA 19801 WITH OXYGEN CONTENT LIMITED TO 50 PPM.

REF. DRG. NO.	B.O.	01	S.C. RING (ORDERING)	SEE TR 2	124.00		
	REMARKS	ITEM NO.	DESCRIPTION	MATL. CODE	UNIT WT.		
SIGN. & DATE	DEPT. AME	GRADE OF UNTOL. ORL C/M/F	SCALE N.T.S.	WEIGHT (kg) 124.00	MATL. SPCN.	UNIT	QTY.
					DRN UNW	SIGN - sd -	DATE 10.9.94
INVENTORY NO.	CODE 404	TITLE S.C. RING (ORDERING)	REF. TO ASSY. DRG.	ITEM NO.	APPD NGN/AKV	DATE 12.9.94	NO. OF ITEMS
					DRAWING NO. 44028045186	REV. 04	
				SHEET NO.	NO. OF SHEET		

CORE CODE 40280017

SIZE A4

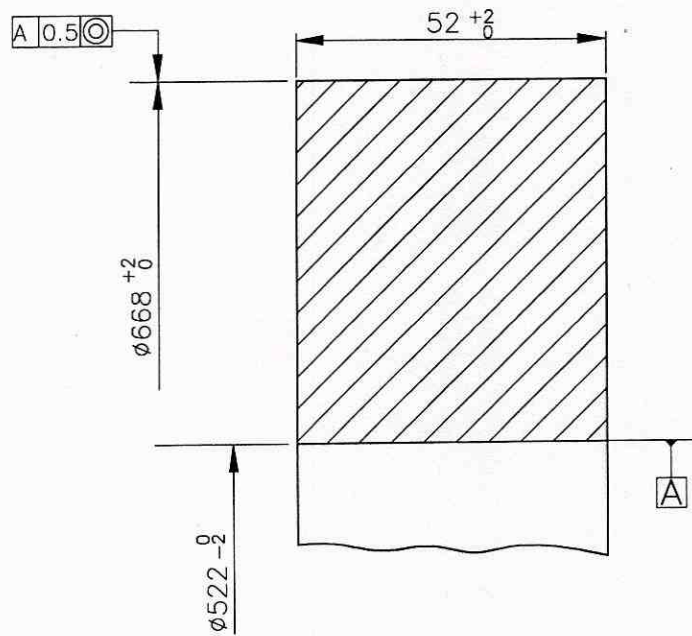
RPB/44028045186

FIRST ANGLE PROJECTION

(ALL DIMENSIONS ARE IN mm)

THE INFORMATION ON THIS DOCUMENT IS THE PROPERTY OF BHARAT HEAVY ELECTRICALS LIMITED. IT MUST NOT BE USED DIRECTLY OR INDIRECTLY IN ANY WAY DETRIMENTAL TO THE INTEREST OF THE COMPANY.

REV. 02	DATE 22.11.06	ALTERED ALC	-SD-	REV. 01	DATE 26.11.90	ALTERED PKS	-SD-	ADDITIONAL INFORMATION	W.O. 45249 A 421-11
		CHECKED RPG	-SD-			CHECKED	-SD-	STATUS OF DRAWING	
TOL. REV. AS PER MOM REF. PPX: MM/EM DT. 13.08.2004				Ø668 WAS 736				DISTRIBUTION AME - 1, HGM - 4 OF PRINTS TEX (HGM)-1	
REV. 03	DATE 29.10.14	ALTERED RV		TOTAL WEIGHT 63.43 WAS 61.2					
		CHECKED AK	<i>AK</i>						



TECHNICAL REQUIREMENTS :-

1. RING TO BE MACHINED ALL OVER FINISH $\nabla^{3.2/}$
2. EVERY RING TO BE ULTRASONICALLY TESTED AS PER AM54155.

REF. DRG. No.	01		S.C. RING		AA19801		63.43		
	65	75	25	27	29	58	59	34	
SIGN & DATE	REMARKS		ITEM No.		DESCRIPTION		MATERIAL		
							MATERIAL SPECN.		
INVENTORY No.	CARD TYPE 3		CARD TYPE 1		CARD TYPE 2		UNIT WT.		
	28		28		28		65		
DEPT. AME		GRADE OF UN. TOL. DIM. C/M/F		SCALE		WEIGHT (Kg)		REF. TO ASSY. DRG.	
404				N.T.S.		63.43			
TITLE		DRAWING No.		SHEET No.		No. OF SHEETS		REV.	
S.C. RING (ORDERING) (OUTER CAGE)		44028045220		01		01		03	

RV/ROTOR/44028045220