

ANNEXURE-A

1.0 SCOPE: Supply of Testing Connectors , sockets & leads for 33kV Gas Insulated Switchgears to be used with Connex Bushings.

2.0 ITEM DESCRIPTION:

Item no 01: Test Adaptor & Connector

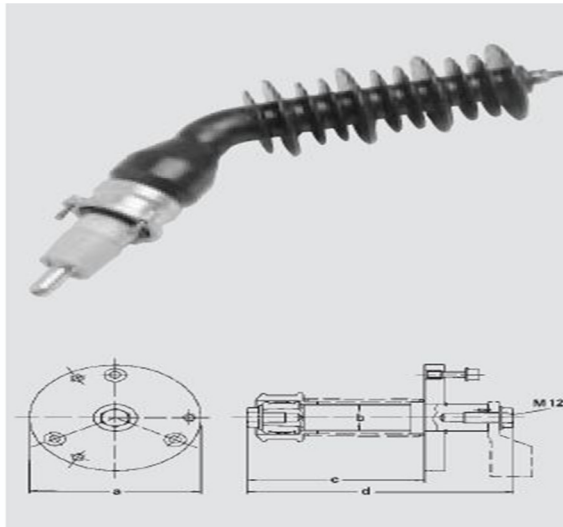
Application: Used to carry out voltage tests on equipment fitted with CONNEX Bushing.

Technical parameter:

Size of Bushing: 2

Max. Operating Voltage: 36 kV

Nominal Current: 800 In / A



Item no 02: CONNEX Earthing & Current Testing Connector

Application : Used to carry out current test on equipment fitted with CONNEX Bushing.

Technical parameter:

Size of Bushing: 2

Nominal Current: 800A

Item no 03: Current testing Socket

Application: Used for Testing of Cable.

Technical parameter:

Size of Bushing: 3

Max operating Voltage: 36 kV

Rated Power Frequency Withstand Voltage, 50 Hz / 1 min: 80 kV

DC Voltage Test: 80 kV

Item no 04: Test Lead

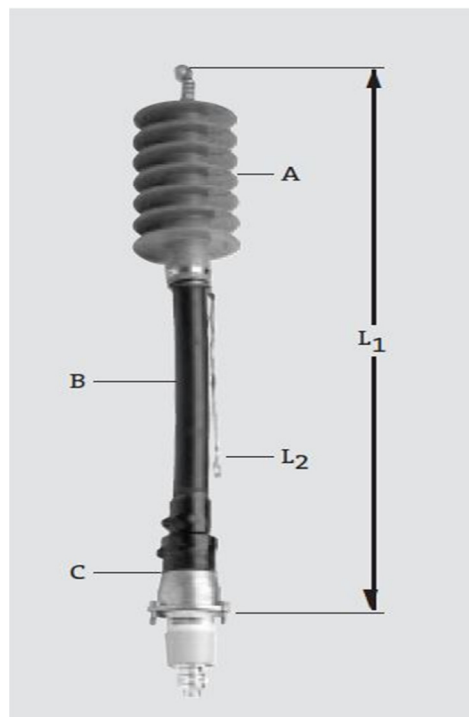
Application: Used to carry out voltage test & partial discharge tests in GIS.

Technical parameter:

Size of Bushing: 2

Rated Power Frequency Withstand voltage, 50Hz/1 min: 80 kV

Rated Lightning Impulse withstand voltage: 200 Kv



3.0 ACCEPTANCE CRITERIA

- Each item shall be packed separately in high density dust free cardboard boxes, suitably wrapped in polythene.
- Component shall be guaranteed against all manufacturing defects.

Divya Joshi

(Manager / SWE)