

DRG. B. 9400113 BILL OF MATERIAL

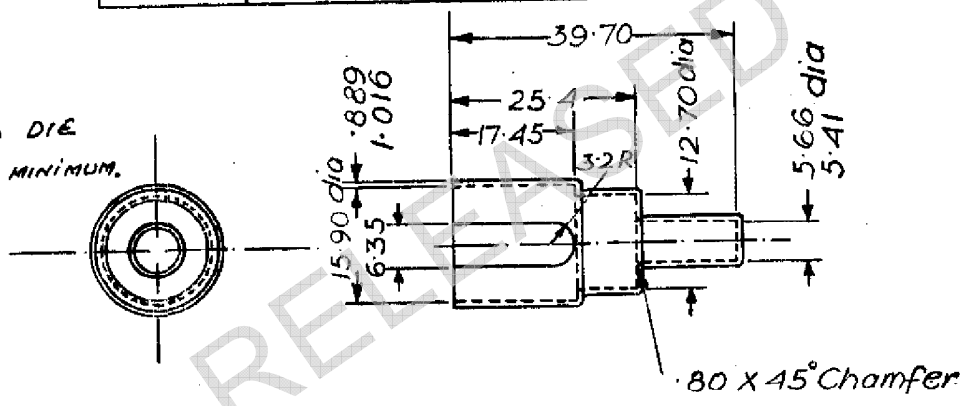
ITEM NO.	DESCRIPTION. SIZE OR WEIGHT.	PATTERN STYLE CAT. or DRAWING	REMARKS
1	PVC Shroud Red (flexible)		Bot. out.

STYLE LIST

STYLE	ITEM INCLUDED	DESCRIPTION OR REMARKS	RECORDED	
			Sign.	Date
ST.907066	1	P.V.C. Shroud.	ARV	4-10-63

NOTES:—

- MATERIAL SHOULD BE IN LINE WITH AA 22 501.
- ACCEPTANCE CRITERIA - COMPONENT SHOULD HAVE A DIE ELECTRIC STRENGTH OF 2KV MINIMUM.



Machining Tolerances \pm .25 mm. unless shown otherwise.

Note non-machining Tolerances \pm mm.

Ref. to Assembly.		1	G 9027073(11)
		1	G9025019(20)
		item no.	Drq. no.
A.E.I. REF.	FIRM:— M.V.	DRG. NO, D 5253833	
DRAWING ISSUED BY		HEAVY ELECTRICALS (INDIA) LTD.	
SWGR. D.O. QTY.		BHOPAL	
O. Copy		1	
Swgr. Shop		4	
Insp. Dept		1	
Trans (C&I)		2	
M S. Dept.		1	
SCALE. 1:1		B 9400113	

REV	BY	DATE	DESCRIPTION
4	B.S. M/G	11/62	Wd. Ph. 11/62
3			
2	6.5.61	Sharan	
5	4.8.2000		

Style No. was 5294171/MY in Ref. to assy. drg. G 9027073 was not on. Distn. list modified.

2 Copies for Trans. (C & I) were not on.

Rev. System imp lemented.

Notes ADDED.

(DCA 10/29)