



TECHNICAL SPECIFICATION OF OVER VOLTAGE PROTECTOR

(SELF FAIL SAFE SURGE ARRESTOR)

- | | |
|--------------------------------------|--|
| 1. DC spark-over/firing voltage | 240V to 360V |
| 2. Impulse spark-over/firing voltage | 10^{-2} to 10^3 V / μ sec. |
| 3. Impulse current | 10KA max. |
| 4. Arc voltage | Voltage drop < 20V when current intensity > 1.5A |
| 5. Minimum sustaining voltage | 72V DC |
| 6. Insulation resistance | 10^3 M Ω min. |
| 7. Inter-electrode capacitance | < 5 pf |

Mat. Code

BP9047545494

PREPARED BY:

SPECIFICATION NO. CEE/03001

APPROVED BY:

REVISION NO. 01

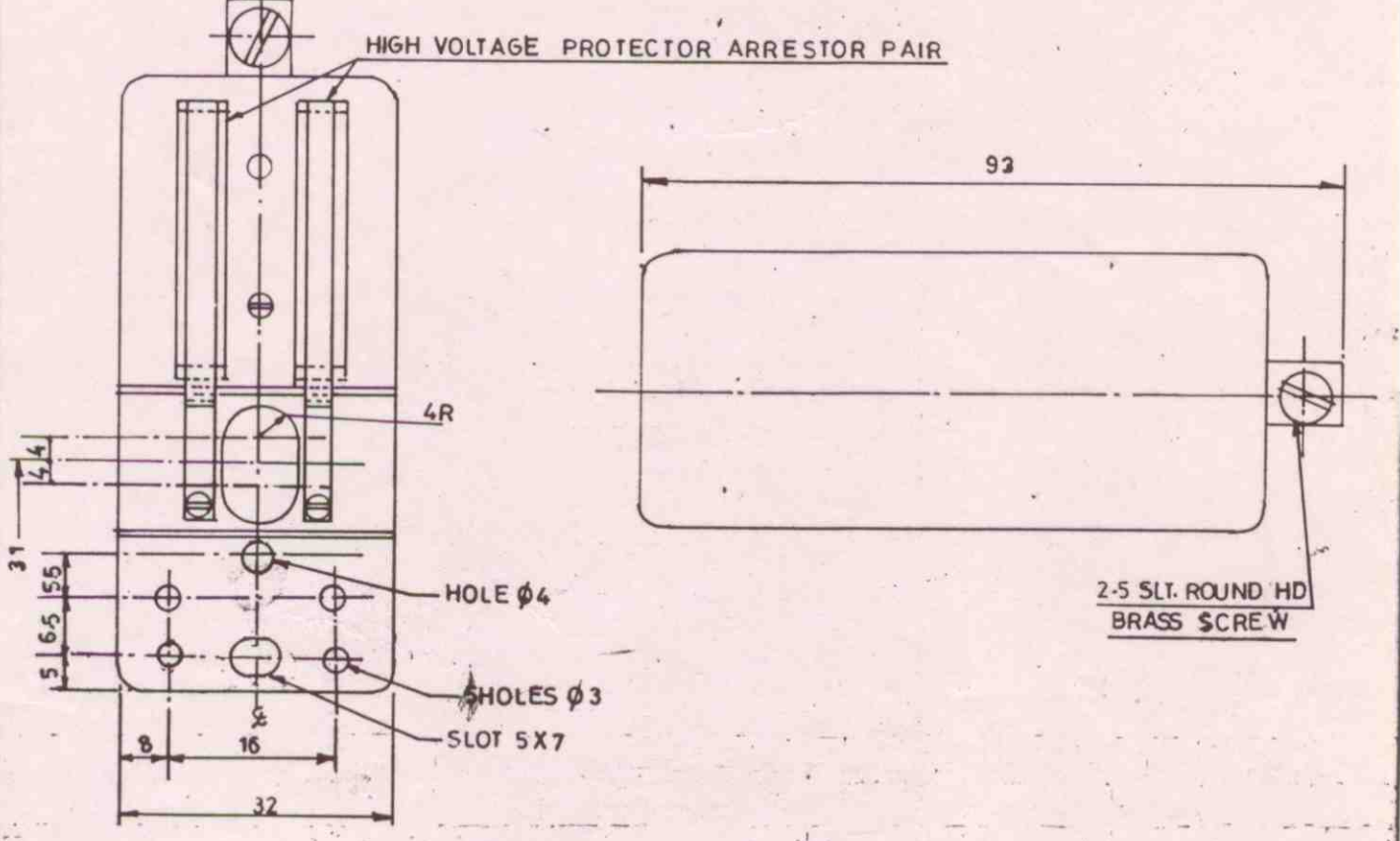
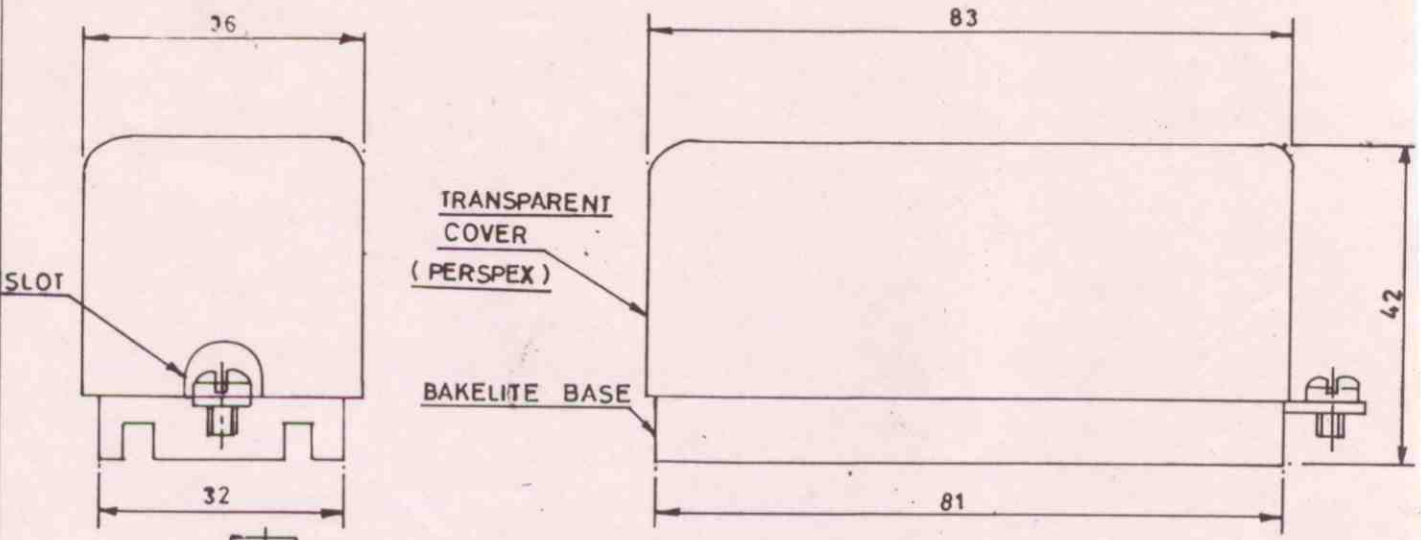
DATE:

09.06.03

DATE OF REVISION 06.04.10

THE INFORMATION ON THIS DOCUMENT IS THE PROPERTY OF BHARAT HEAVY ELECTRICALS LIMITED. IT MUST NOT BE USED DIRECTLY OR INDIRECTLY IN ANY WAY DETRIMENTAL TO THE INTEREST OF THE COMPANY.

REV	DATE	ALTERED	REV	DATE	ALTERED	ADDITIONAL INFORMATION
		CHECKED			CHECKED	
						STATUS OF DRAWING
						DISTRIBUTION
						OF PRINTS



WITHOUT COVER

REF. DRG. No.

SIGN & DATE

INVENTORY No.



BHARAT HEAVY ELECTRICALS LTD.
BHOPAL

DRN	NAME	SIGN	DATE
CHD	K. N. SONI.	<i>Soni</i>	25-11-87
APPD	D. K. THAKUR	<i>Thakur</i>	27-11-87

DEPT. CEE	GRADE OF UN. TOL.	SCALE NTS	WEIGHT (Kg.)	REF. TO ASSY. DRG.	ITEM No.	75 77
CODE 407	DIM. C/M/F				No. OF ITEMS	

TITLE	CARD CODE	DRAWING No.	22, 23, 24
HIGH VOLTAGE PROTECTOR ASSY.	1 3 7	4 651 02 00212	REV.
SHEET No.		No. OF SHEETS.	