



PRODUCT STANDARD

Control Equipment Engineering

CG00053

Page 01 of 05

TECHNICAL SPECIFICATION FOR FUSE WITH MICRO SWITCH FOR SELF COOLED/ALTERNATOR MOUNTED RECTIFIERS FOR DE LOCOMOTIVE

GENERAL:

These fuse are to be used in series of each diodes of a 3-phase 6 pulse silicon rectifier circuit. Their function is to open the path of that particular arm of the rectifier bridge when a diode fails by shorting.

DIMENSION:

Physical dimensions of fuse shall be as shown in figure-1.

TECHNICAL DETAILS:

Fuses must have fitted with micro switches for identifying a blown condition. Micro switches shall be auto resettable.

Ratings of fuse and micro switch shall be as under.

(A) FUSE:

- | | | | |
|------|--|---|------|
| i. | Rated Current | : | 800 |
| ii. | Rated Voltage | : | 1000 |
| iii. | Pre-Arc $I^2t(A^2s \times 10^3)$ | : | 195 |
| iv. | Total I^2t @ Rated Voltage($A^2s \times 10^3$) | : | 1200 |
| v. | Watt Loss @ Rated Current(W) | : | 146 |

Fuse must meet time current characteristic and current limiting characteristics as shown in curves 1 & 2.

COPY RIGHT AND CONFIDENTIAL
The information on this document is the property of BHEL Bhopal
It must not be used directly or indirectly in any way detrimental to the interest of the company

Ref: EDPS-68

Revisions: Approved sources added in page 2.

Date: 24.04.07

DISTRIBUTION

RFM	1
QC (B & S)	1
QC (SCR)	1
OFFICE COPY	1

Approved:

N. H. Jafri

Prepared:

S. Rai

Issued:

R. Singwekar

Date:04.6.05



PRODUCT STANDARD

Control Equipment Engineering

CG00053

Page 2 of 5

(B) MICRO SWITCH:

- i. Rated current : 2 Amp.
- ii. Fire Class UL94 : VO.
- iii. Micro switches be auto resettable.

VIBRATION:

Fuse shall withstand the vibration tests as per clause 16 of IEC-77.

APPROVED SOURCES:

- | | | | |
|----|---------------------|------------------------------------|---|
| 1. | M/s Ferraz | Fuse Type No.
11URD 72 TTF 0800 | Micro Switch Type No.
AOS-Q(Auto Resettable
Type) |
| 2. | M/s Cooper Bussmann | Fuse Type No.
170M5961 2BKN/75 | Micro Switch Type No.
170H0069 (Auto
Resettable Type) |

NOTE : Fuse and Micro switch of same make should be procured in set.

COPY RIGHT AND CONFIDENTIAL
The information on this document is the property of BHEL Bhopal
It must not be used directly or indirectly in any way detrimental to the interest of the company

Revision:02

Date:24.4.07



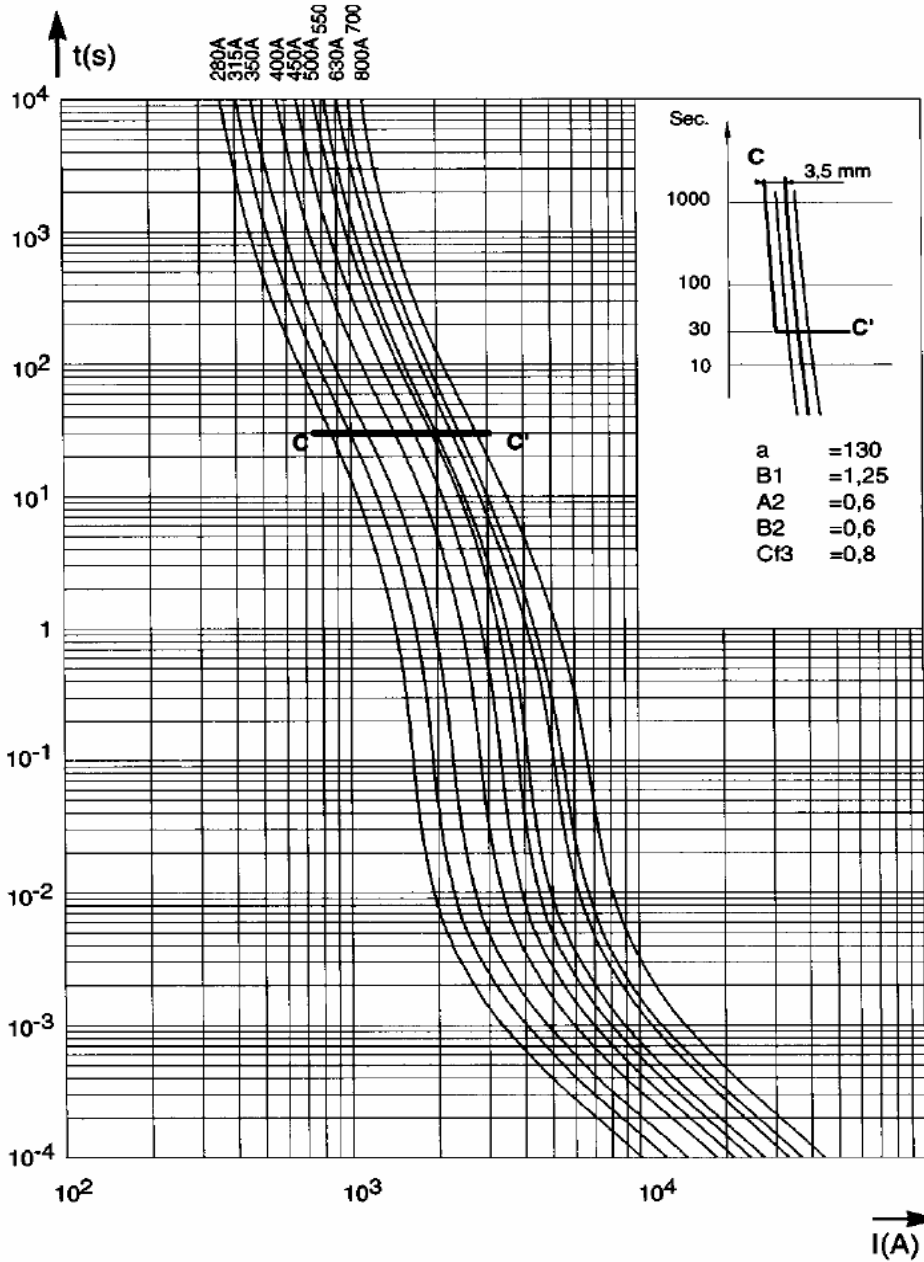
PRODUCT STANDARD

Control Equipment Engineering

CG00053

Page 3 of 5

COPY RIGHT AND CONFIDENTIAL
The information on this document is the property of BHEL Bhopal
It must not be used directly or indirectly in any way detrimental to the interest of the company



Melting Time-Current Data

Curve-1

Revision:02

Date:24.4.07



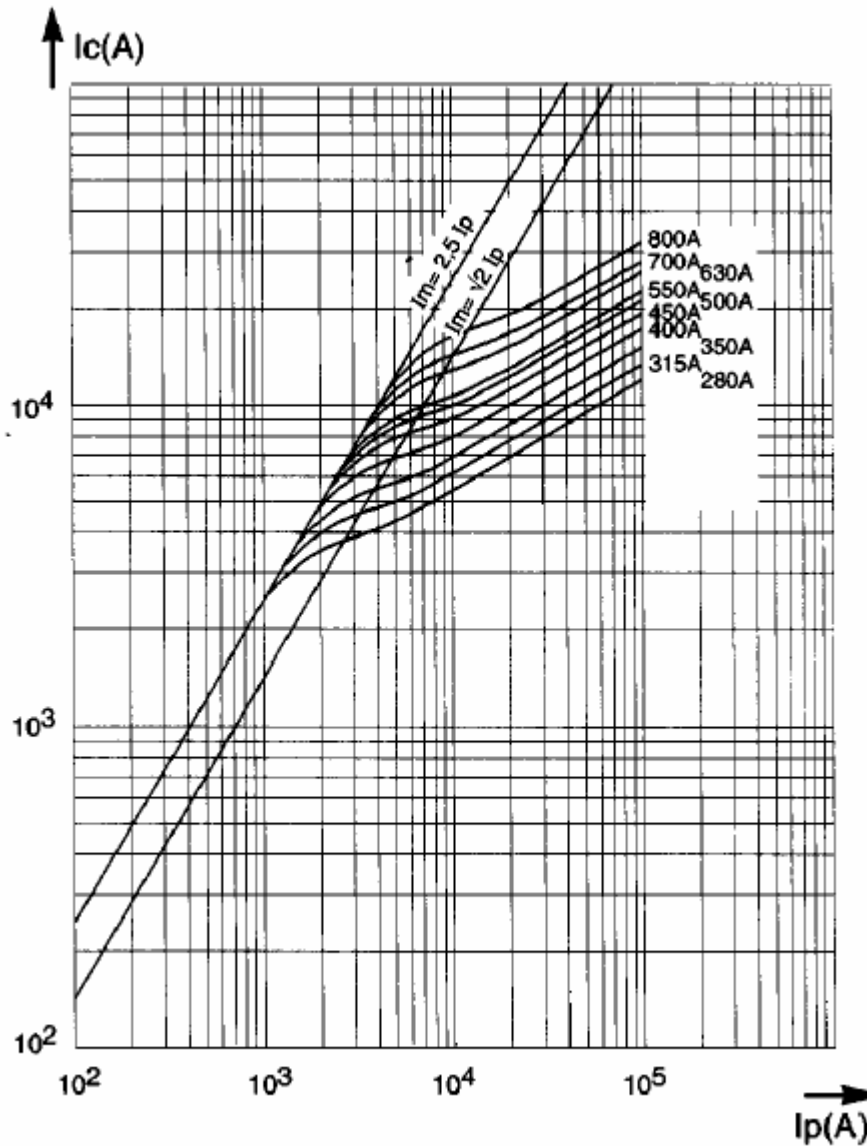
PRODUCT STANDARD

Control Equipment Engineering

CG00053

Page 4 of 5

COPY RIGHT AND CONFIDENTIAL
The information on this document is the property of BHEL Bhopal
It must not be used directly or indirectly in any way detrimental to the interest of the company



Peak Let-Thru Current Data

Curve-2

Revision:02

Date:24.4.07



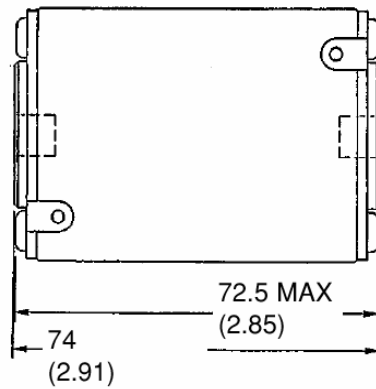
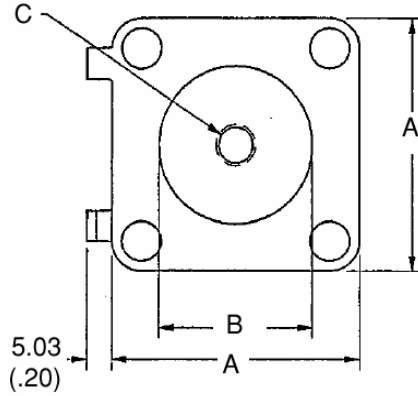
PRODUCT STANDARD

Control Equipment Engineering

CG00053

Page 5 of 5

COPY RIGHT AND CONFIDENTIAL
The information on this document is the property of BHEL Bhopal
It must not be used directly or indirectly in any way detrimental to the interest of the company



DIMENSIONS(mm)		
A	B	C
60	38	M10 X 1.5 X 9 DP

Fig-1

Revision:02

Date:24.4.07