

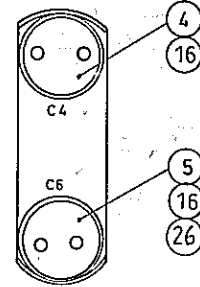
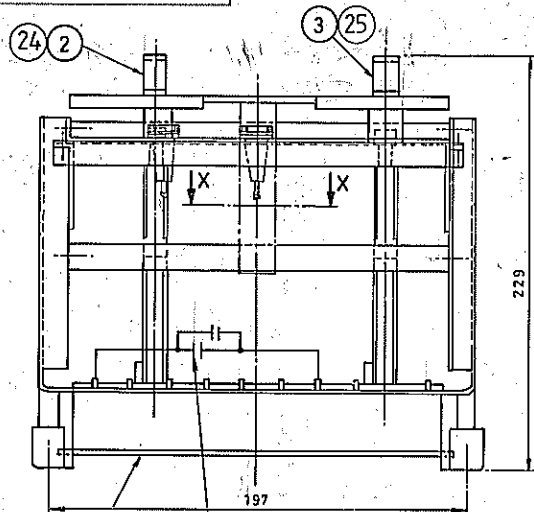
DRG. NO. 2 670 22 00029

STYLE LIST.

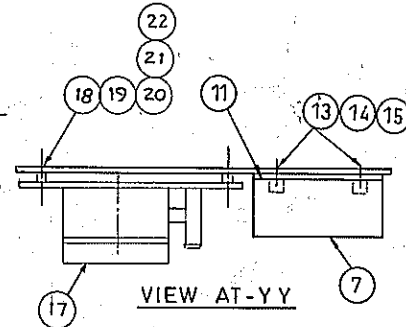
STYLE CODE	VAR	DESCRIPTION & REMARKS	RECORDED SIGN. DATE	GES. NO.
BP 9047572998	00	ASSY. OF VR96M (WITH PCB CARD)	DPV 30-9-2000	407503034
BP 9047573218	01	ASSY. OF VR110VM (WITH PCB CARD)	DPV 18-5-00	407513003

B.O.M. CONTD. ON SHEET 02

QTY	ITEM NO.	DESCRIPTION	UNIT	REMARKS	ITEM NO.	DESCRIPTION	UNIT	REMARKS	ITEM NO.	DESCRIPTION	UNIT	REMARKS
002	002	022	NUT HEX A M3-8	1								
002	002	021	WASHER SPG SC A3-ST	1								
004	004	020	WASHER MCD 3-2-ST	1								
002	002	019	SCRU SLT CHS A M3x25-4-8	1								
002	002	018	SPACER	3 670 24 0 0016	002							
001	001	017	ASSY. OF PCB WITH RELAY FOR VRP	3 670 22 0 0049	00							
001	001	SEE NOTE 4	020TK X500 POLYIMIDE FLEXIBLE CALANDERED PAPER	2								
002	002		015	WASHER SPG. SC A5-ST.	1							
002	002		014	WASHER MCD 5.3-ST.	1							
002	002		013	SCRU HEX SLT A M5 X 20 - 4.8	2							
002	002	C13, C14	012	CAPACITOR MP AXIAL LEAD 1MFD ±10% 250VDC	1							
001	001		011	BASE PLATE FOR INDUCTOR	4 670 22 00036	001						
002	002		010	SCRU TAP ST. 219 X 6.5 - C	1							
001	001		009	NAME PLATE	4 670 23 00022	001						
002	002		008	FUSE GLASS CARTRIDGE X15 AMPS								
001	001		007	INDUCTOR TO ES 850143								
001	001	R V 3	006	POTENTIOMETER 75 OHMS 2.25 W								
-	001	C6	005	ELECTROLYTIC CAPACITOR POLAR 1000 MFD +50% -10% 200 VDC	4 699 21 99076	003						
001	001	C4	004	CAPACITOR 12 MFD ±10% 400 VAC	4 670 22 00031	002						
-	001	BN	003	ASSY. OF CONTROL CARD	1 670 22 00019	00						
-	001	BX	002	ASSY. OF POWER CARD	1 670 22 00018	0c						
-	001	B.O.	001	FRAME ASSY.	2 670 22 00028	00						



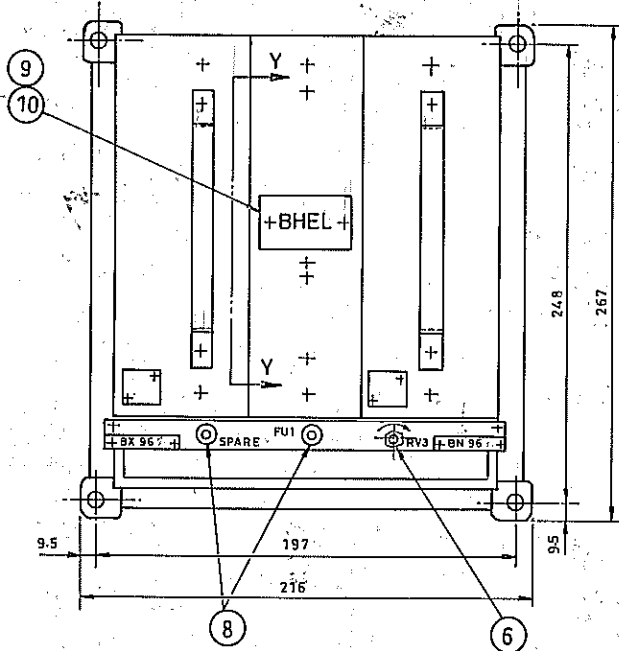
VIEW AT -XX



VIEW AT -YY

NOTES :-

- ALL HARDWARES TO BE ZINC PLATED AND PASSIVATED TO PR SP AA 0673603 AND AA 0673604 RESPLY. (0-013TK)
- C4, C6 TO BE WRITTEN WITH BLACK PAINT.
- FOR WIRING DIAGRAM REFER TO DRG. 3 670 22 00028.
- CAPACITOR (ITS 4, 5 & 26) TO BE INSULATED FROM THE CLAMP ASSY. USING 2 LAYERS OF POLYIMIDE FLEXIBLE CALANDERED PAPER (ITEM 016)
- VAR.00 IS FOR 72V. VRP TYPE VR96M AND VAR.01 IS FOR 110V VRP TYPE VR110VM.



THE INFORMATION ON THIS DOCUMENT IS THE PROPERTY OF BHARAT HEAVY ELECTRICALS LIMITED. IT MUST NOT BE USED DIRECTLY OR INDIRECTLY IN ANY WAY DETRIMENTAL TO THE INTEREST OF THE COMPANY.

INVENTORY NO. 2670 22 00022  
REF. DRG. NO. F559  
SIGN. & DATE

<b>ADDITIONAL INFORMATION</b> VR 96M STATUS OF DRAWING M		<b>E-TYPE</b> INDIAN RAILWAYS	
DISTRIBUTION OF PRINTS O.C. - 1 ; TECH. - 1 RFM - 3		भारत हेवी इलेक्ट्रिकल्स लिमिटेड भोपाल BHARAT HEAVY ELECTRICALS LTD. BHOPAL	
REV. DATE ALTERED / CHECKED / APPROVED 01 18-5-01 ITS. 017 - 026 ADDED VAR. 01 ADDED SHT. 02 ADDED NOTE 5 ADDED		DRG. NO. 2670 22 00029 SHT. NO. 01 DATE 30-9-2000 UNIT WT. 6 KG. MATL. SPECN. CG 06503 SCALE NTS	
REV. DATE ALTERED / CHECKED / APPROVED 01 18-5-01 ITS. 017 - 026 ADDED VAR. 01 ADDED SHT. 02 ADDED NOTE 5 ADDED		MATL. CODE 48 55 56 58 UNIT WT. 6 KG. MATL. SPECN. CG 06503 SCALE NTS	
REV. DATE ALTERED / CHECKED / APPROVED 01 18-5-01 ITS. 017 - 026 ADDED VAR. 01 ADDED SHT. 02 ADDED NOTE 5 ADDED		MATL. CODE 48 55 56 58 UNIT WT. 6 KG. MATL. SPECN. CG 06503 SCALE NTS	