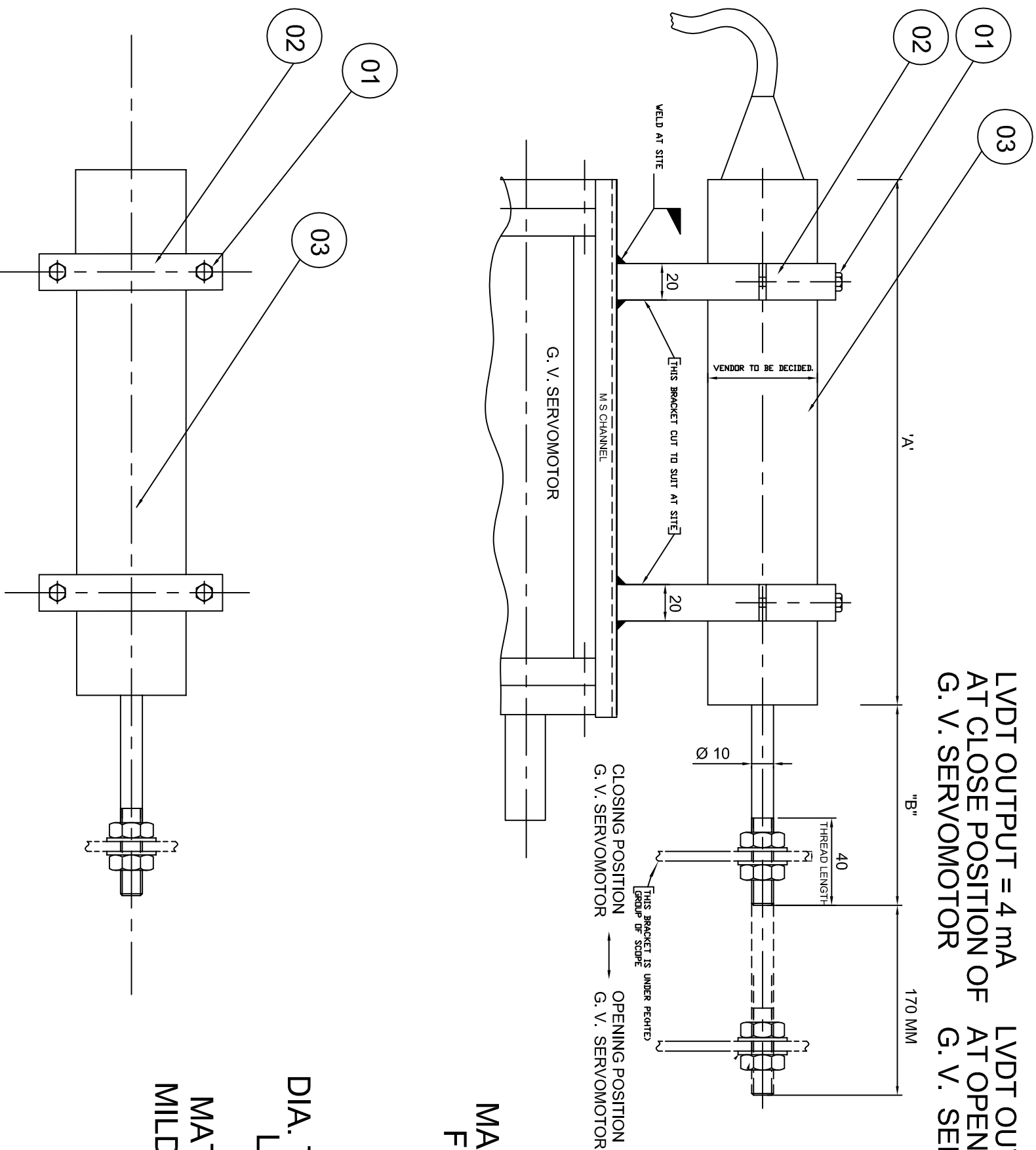


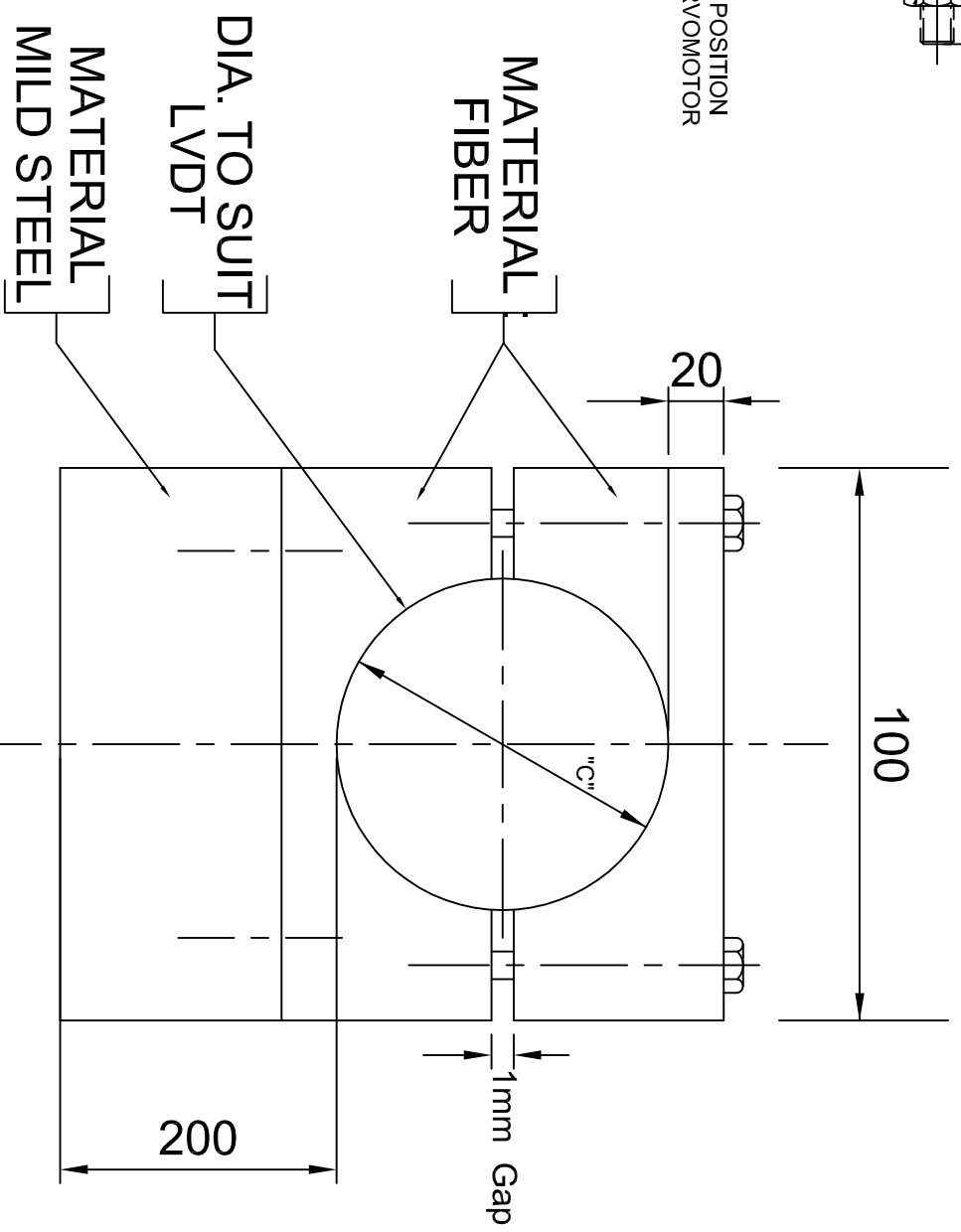
ALL DIMS. ARE IN MM.



LVDT OUTPUT = 4 mA AT CLOSE POSITION OF G. V. SERVOMOTOR

LVDT OUTPUT = 20 mA AT OPEN POSITION OF G. V. SERVOMOTOR

- TECHNICAL REQUIREMENTS :-**
1. DIMENSION A, B AND C TO BE FURNISHED BY SUPPLIER ALONG WITH WIRING DIAGRAM HAVING WIRE COLOUR CODE.
 2. G. V. SERVO STROKE = 170 MM.
 3. CLAMP ASSY. (LOWER HALF) TO BE MACHINE $\frac{3}{2}$ ALL OVER.



CLAMP ASSY.-IT. NO. 02
(IN TWO HALVES)

LVDT FOR G. V. SERVO FEEDBACK
(SPRING LOADED)

SKETCH NO. : HTE/GC/265 Rev. 00.
PROJECT : RAMPUR HEP