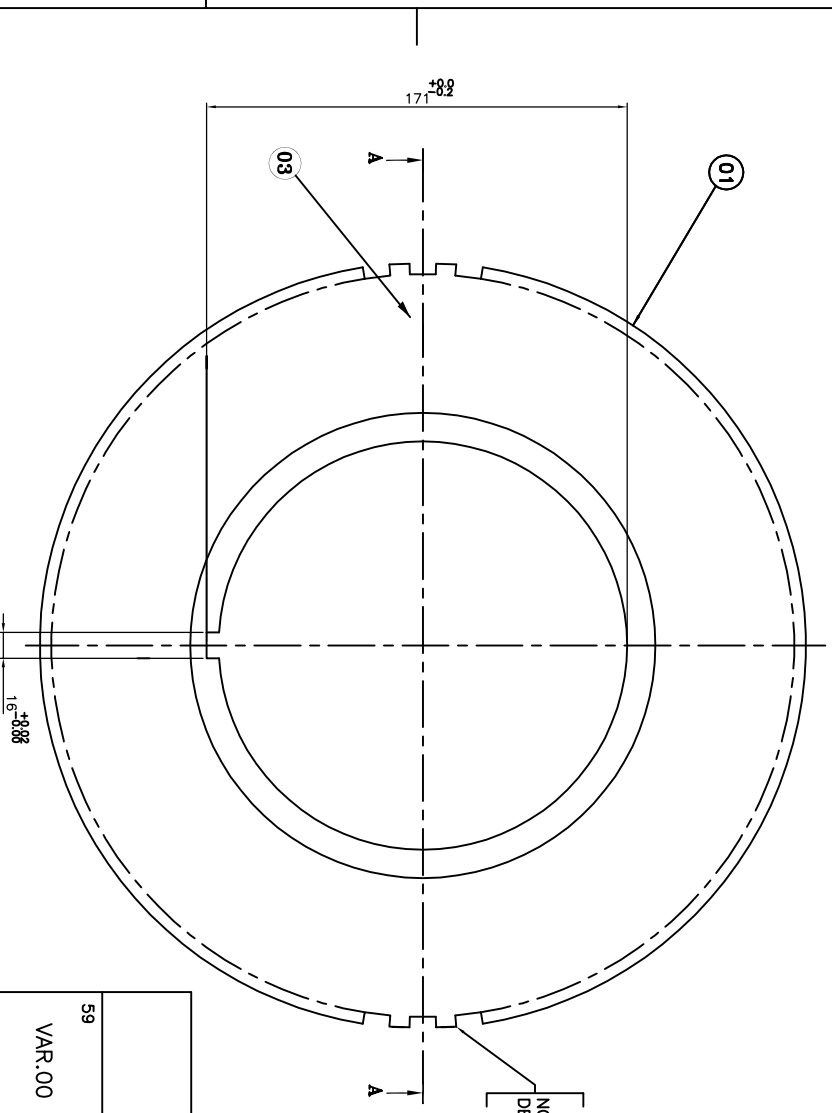
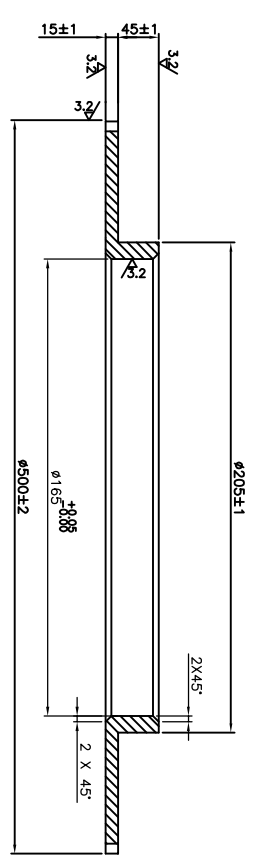


DRG. NO. 32051478072



- TECHNICAL REQUIREMENT :-**
1. M/C ALL OVER $3.2/\sqrt{R}$ UNLESS OTHERWISE STATED.
 2. TOOTHED WHEEL MATERIAL :- STEEL PLATE TO IS:2062 Gr. A (Fe 410 WA) OR AA10108
 3. TEETH NOS. TO BE DECIDED BY SUPPLIER.

59	64	65	75	78	79	25	27	29	58	59	60	77	29	31	34	45	55	56	58	65	72
VAR.00		REMARKS		VAR. NO.	ITEM NO.			TOOTHED WHEEL	STD				IT. NO.		MATL. CODE		A	B	C	UNIT WT.	QTY.
													32	33	46	54	57	58	68	71	72
													VAR.		MATL. SPCN.						

28 → CARD TYPE-3

28 → CARD TYPE-1

28 → CARD TYPE-2

28 → CARD TYPE-3

ADDITIONAL INFORMATION

STATUS OF DRAWING

DISTRIBUTION OF PRINTS

HTE-2
WTM-5

STANDARD

32084415032

DEPT	HTE	UNTDL.	DIMS.	GR.	REF. DRG. NO.	CODE	402	32000049014
UNIT	DRG.	NO.						
SCALE	NTS							
WEIGHT(K.G.)	26							

INVENTORY NO.	SIGN. & DATE	REF. DRG. NO.

REV.	DATE	ALTERED
		CHECKED
		APPROVED

REV.	DATE	ALTERED
		CHECKED
		APPROVED