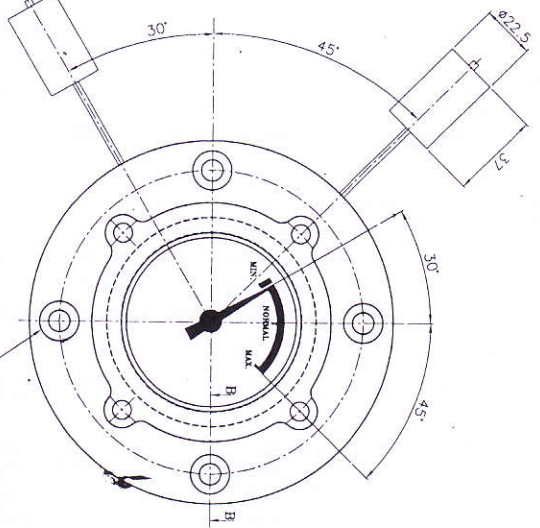
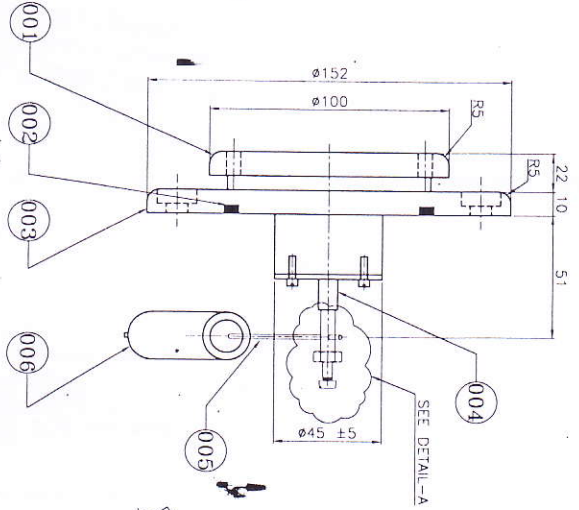
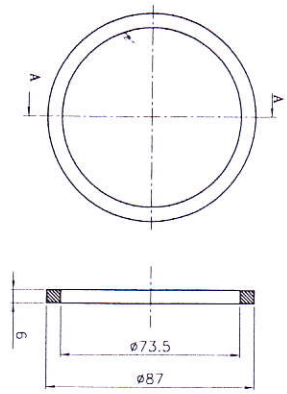


THE INFORMATION ON THIS DOCUMENT IS THE PROPERTY OF BHARAT HEAVY ELECTRICALS LIMITED. IT MUST NOT BE USED DIRECTLY OR INDIRECTLY IN ANY WAY DETRIMENTAL TO THE INTEREST OF THE COMPANY.



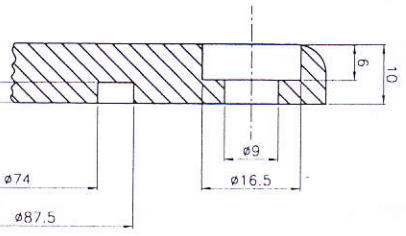
VAR. 00

4-Ø9 EQUALLY SPACED ON 127 P.C.D. COUNTER BORE Ø16.5x8 DEEP

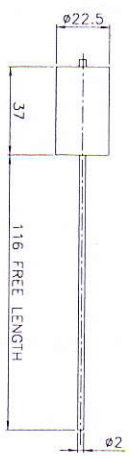


ITEM NO.-002

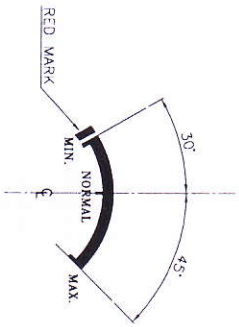
SHORE HARDNESS 75±5



SECTION-BB



FLOAT WITH ARM



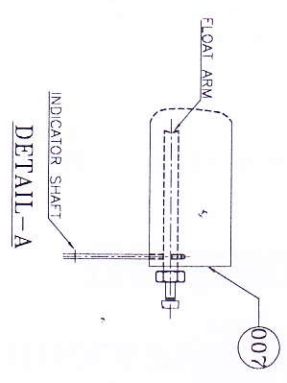
DIAL DETAIL

SPECIFICATIONS

- OPERATED LIQUID-----TRANSFORMER OIL.
- WORKING TEMPERATURE-----0 TO 100°C OF OIL.
- WORKING PRESSURE-----0 TO 4 Kg/CW²
- ENVIRONMENT-----FOR INDOOR AND OUTDOOR USE.
- MOUNTING-----4 HOLES Ø9 AT 127 P.C.D.
- HOLE THROUGH PLATE-----Ø55
- FLOAT TRAVEL-----IN A PLANE PARALLEL TO SEATING FACE. YELLOW BACKGROUND, MARKING AND CHARACTERS IN BLACK COLOUR AND A RED BAND BELOW MIN. LEVEL. HEIGHT OF CHARACTERS - 10
- DIAL-----SYNTHETIC FLOAT OF SUITABLE SIZE.
- LEVEL SENSOR-----

NOTES:-

- THE INDICATOR WILL BE SET CONSIDERING ITS MOUNTING IN VERTICAL PLANE.
- ATTACHMENT OF LEVER (IT.4) TO FLOAT ARM (IT.5) SHOULD BE SCREWED TYPE TO FACILITATE REPAIRABLE USE.



REV	DATE	REASON	BY	CHECKED	APPROVED
01	20/05/2010	INITIAL DESIGN
02	20/05/2010	REVISED DESIGN

REV	DATE	REASON	BY	CHECKED	APPROVED
01	20/05/2010	INITIAL DESIGN
02	20/05/2010	REVISED DESIGN

REV	DATE	REASON	BY	CHECKED	APPROVED
01	20/05/2010	INITIAL DESIGN
02	20/05/2010	REVISED DESIGN

OLD DPG. NO. E 0210266
 NAME OF PRODUCT OR NAME OF CUSTOMER/PROJECT: 420 KV OIP BUSHING

DISTRIBUTION OF PRINTS
 NO. OF SETS
 NO. OF SETS
 NO. OF SETS

DATE OF COMPLETION: 01/05/2010
 TITLE: OIL LEVEL INDICATOR
 DRAWING NO: 2 538 04 01008 03