

ANNEXURE-1 FOR BRAZING EQUIPMENT

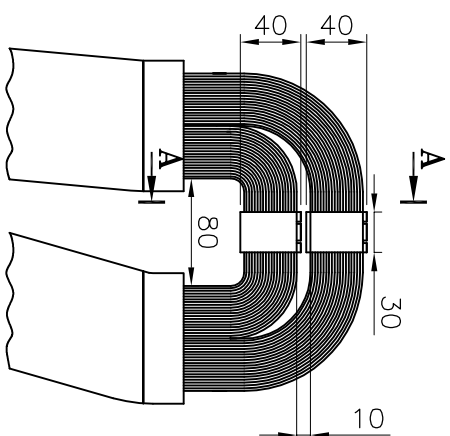
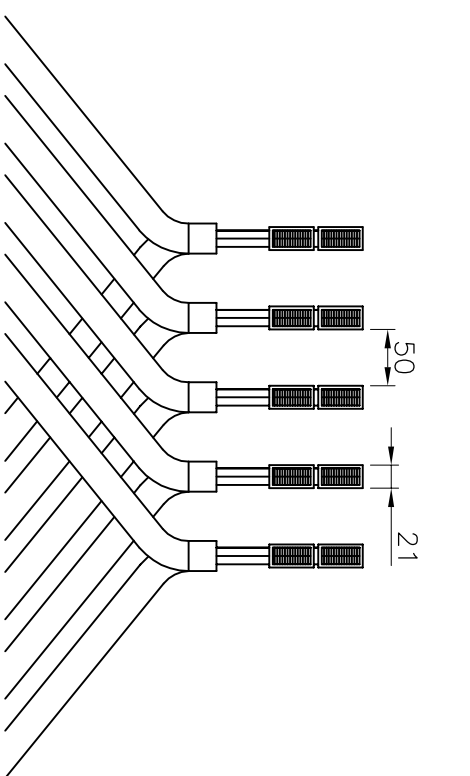
PROJECT:- KISHANGANGA HEP/NHPC

(RATING:- 3x110MW, 13.8KV, 3PHASE, 50Hz, 0.9PF)

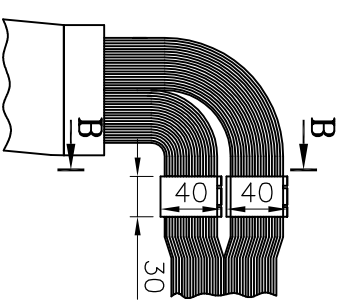
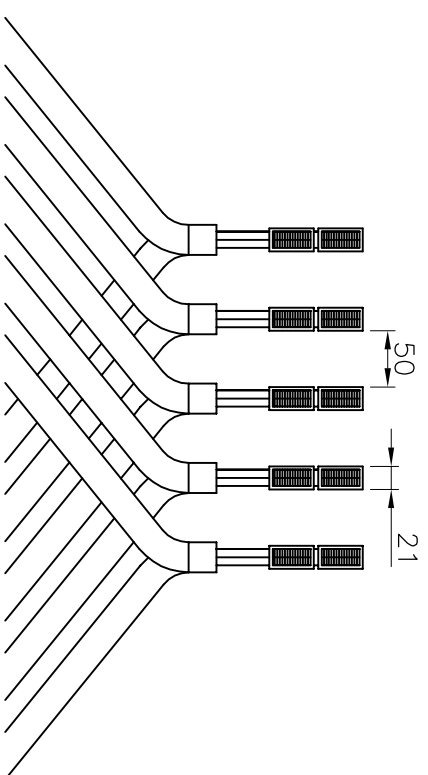
DETAILS OF ELECTRIC RESISTANCE BRAZED JOINTS (FOR BAR TYPE WINDING)

NOTE:-

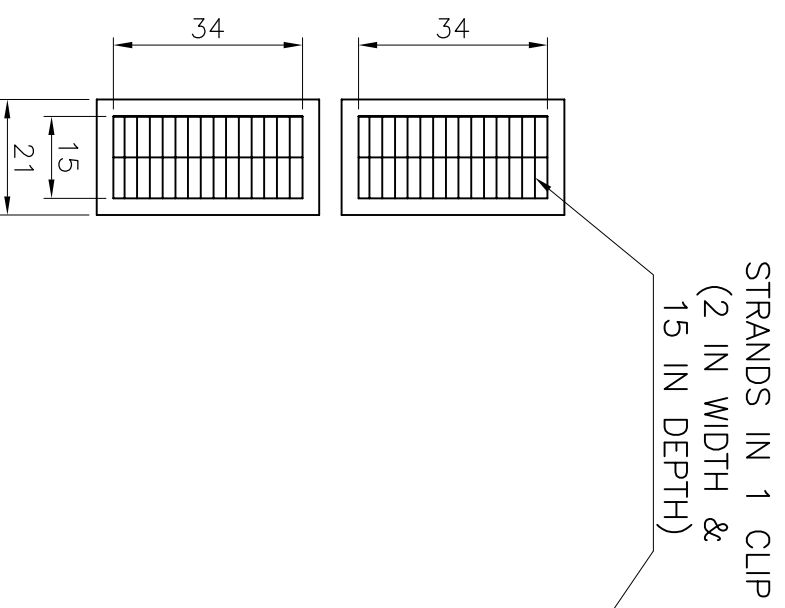
1. STRANDS SIZE:- 7.3(W)X2.2(D)
2. ALL DIMENSIONS ARE IN MM.



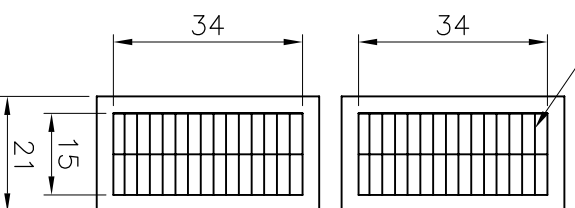
JOINT-1 (BAR TO BAR JOINT)



JOINT-2 (BAR TO JUMPER CONNECTOR JOINT)

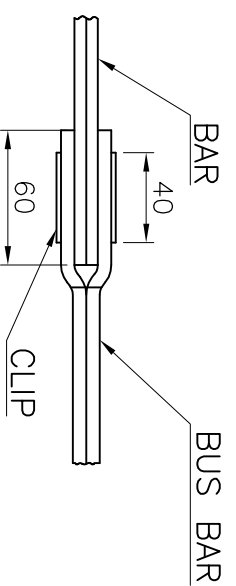
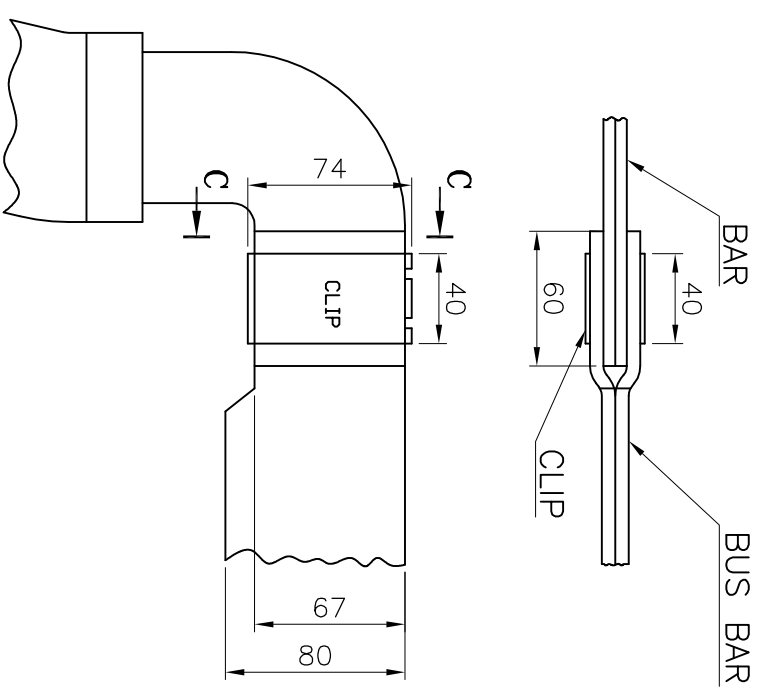


STRANDS IN 1 CLIP
(2 IN WIDTH &
15 IN DEPTH)

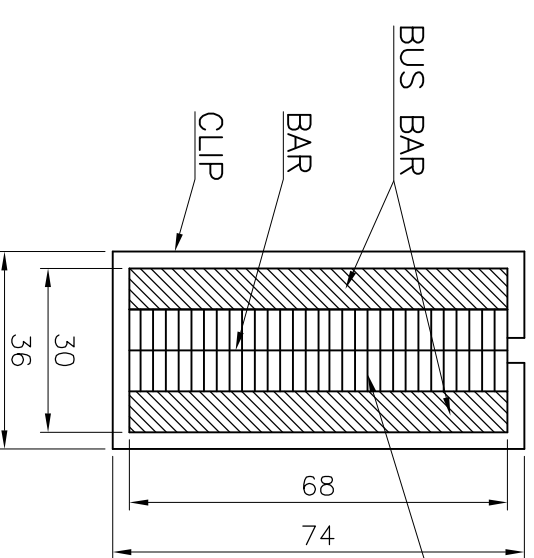


SECTION-AA

SECTION-BB



JOINT-3 (BAR TO BUS BAR JOINT)



STRANDS IN 1 CLIP
(2 IN WIDTH &
30 IN DEPTH)

SECTION-CC