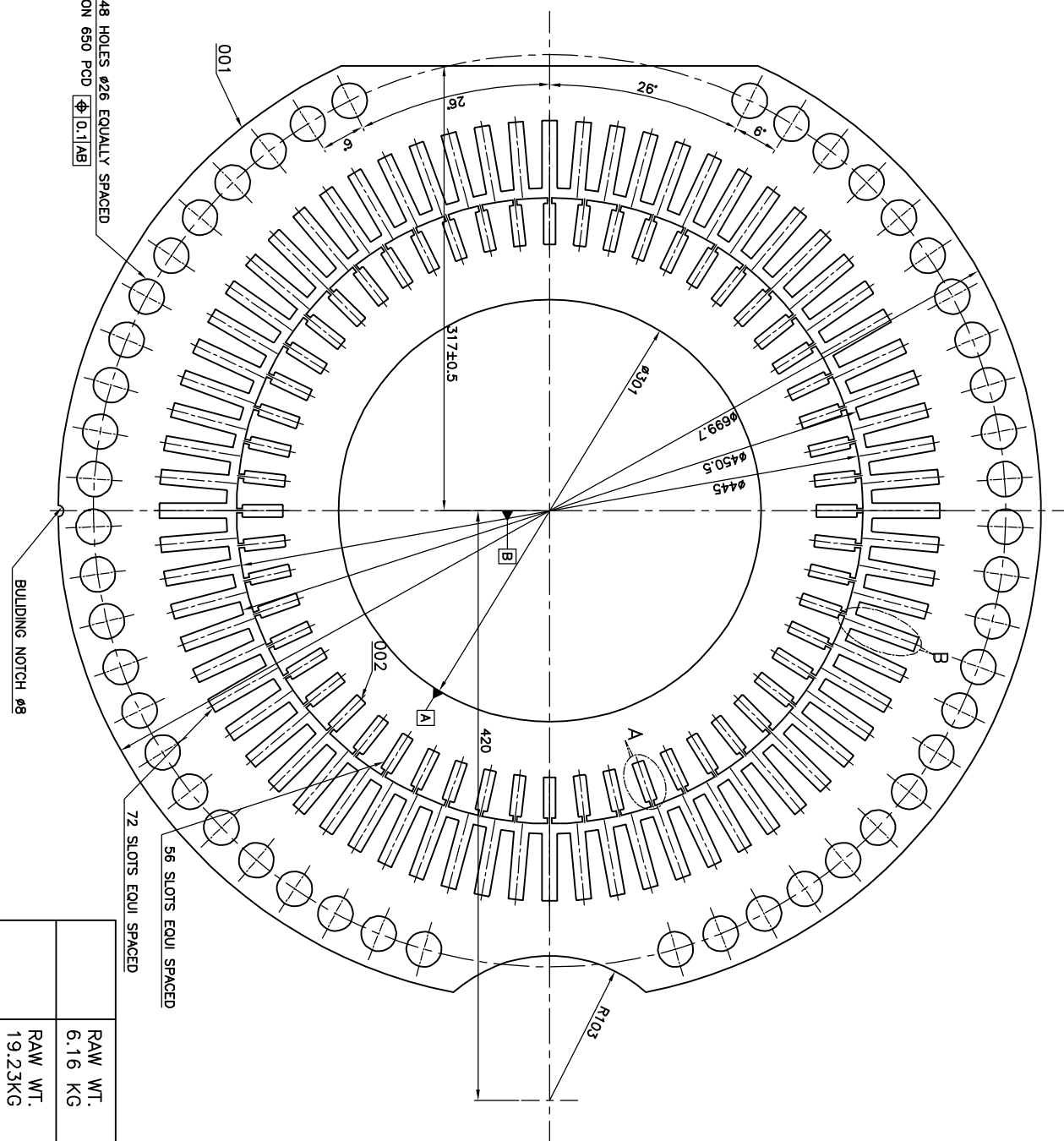
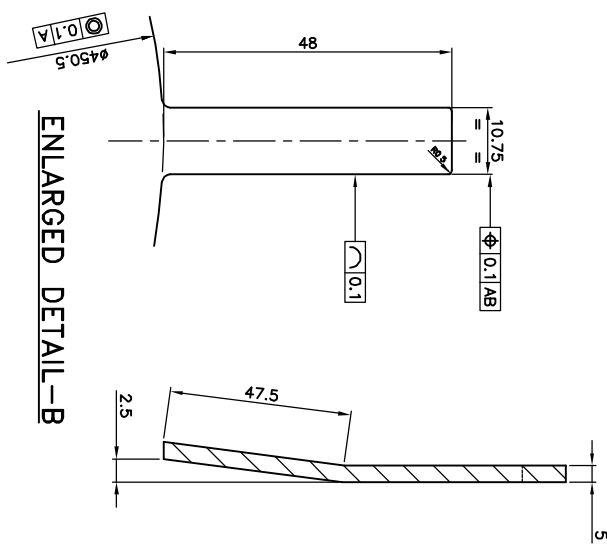
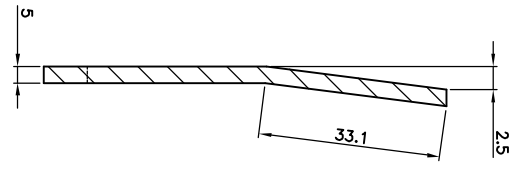
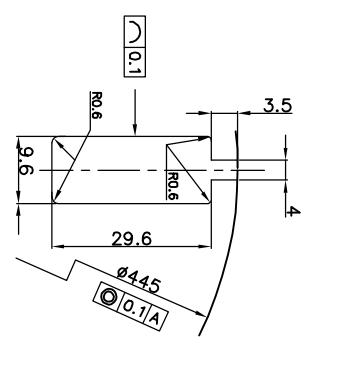


THE INFORMATION ON THIS DOCUMENT IS THE PROPERTY OF BHARAT HEAVY ELECTRICALS LIMITED. IT MUST NOT BE USED DIRECTLY OR INDIRECTLY IN ANY WAY DETRIMENTAL TO THE INTEREST OF THE COMPANY.

L70 16 13 544 3 DRG. NO. ON



- NOTES:-**
- ITEM 002 TO BE MADE FROM INCUTS OF ITEM 001
 - SHARP EDGES TO BE REMOVED ON BOTH SIDES.
 - ENSURE FLATNESS OF THE PLATED BEFORE MACHINING.
 - PAINT WITH ANTI-CORROSION PRIMER PAINT AA 56101 (BOTH SIDE) TO PROCESS SPEC. TM94217 CL. 5.
 - DIMS. TOLERANCE ON UNTOLERATED DIMENSION TO BE WITHIN +0.3/-0.0mm.



VAR 00	RAW WT.	REMARKS	VAR NO.	ITEM NO.	DESCRIPTION	ST	DR	DRWING NO.	MATL. CODE	MATL. SPCN.	UNIT WT.	QTY.	ZONE
002	6.16 KG			002	ROTOR END PLATE (STATOR IN CUTS)				AA10108		2.8		
001	19.23KG			001	STATOR END PLATE STK.X700X700				AA10108		5.8		

ADDITIONAL INFORMATION
STATUS OF DRAWING
DISTRIBUTION OF PRINTS
 TME- 1 TXM- 4
 TXM- 1

TYPE OF PRODUCT OR NAME OF CUSTOMER/PROJECT
 IM4504AZ



BHARAT HEAVY ELECTRICALS LTD.
 BHOPAL

DRN	NAME	SIGN	DATE	NO. OF VAR.
A.JHARIA			12.04.19	
A.TIWARI			12.04.19	
A.TIWARI			12.04.19	

REV.	DATE	ALTERED	REV.	DATE	ALTERED
		CHECKED			CHECKED
		APPD.			APPD.

REV.	DATE	ALTERED	REV.	DATE	ALTERED
01	06.06.20	CHECKED AT			CHECKED AT
		APPD. AT			APPD. AT

DEPT.	GRADE OF UN.TOL.	SCALE	WEIGHT(K.G.)	REF. TO ASSY.DRG.	ITEM NO.	NO. OF ITEM
T.M.E.		NTS	-	14453191076	004	002
405				24454591076	002	

TITLE
STATOR & ROTOR END PLATE (LASER CUT)

DRAWING NO.	REV.
3 445 31 91 077	01

SHT. NO.	NO. OF SHT.
01	01