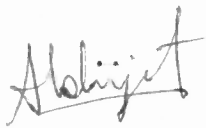


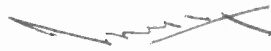
## Technical Pre – Qualifying criteria for FELT RING

The pre-qualification criteria for “Felt Ring” is as under:

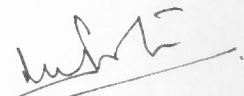
1. Supplier to confirm manufacturing of Felt Ring similar to sketch- TME/SKETCH/10-- and in compliance to material specification called in the sketch.
2. Supplier to furnish drawing and specification of Felt Ring similar to BHEL sketch earlier manufactured by it.
3. Supplier to have experience of supply of similar items to OEM of traction motors or Indian railways. Supplier to furnish names of customers with details of supply of Felt ring similar to Sketch TME/SKETCH/1016 and material specification in last 3 years.
4. Supplier to furnish source of procurement of raw material used for the manufacturing of Felt Ring.



Abhijit Jain  
Engg./TME



Anurag Sharma  
Sr. Engg./TME



Sharad Mehrotra  
DGM/TME

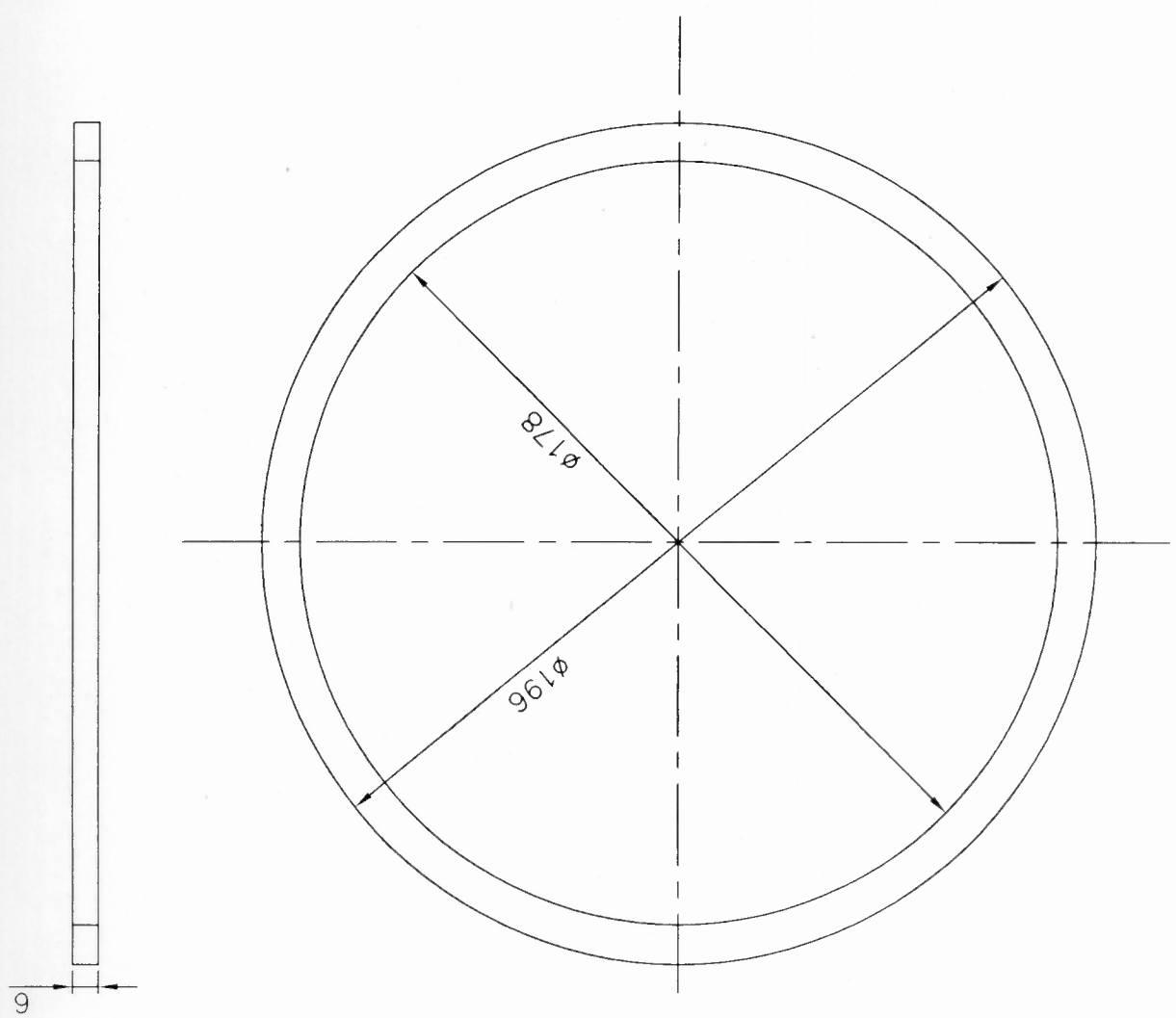
# FELT RING

TITLE

TME/SKETCH/1016

DRAWING NO.

DESCRIPTION	MATL. SPECN.	UNIT	UNIT WT.
FELT RING	IS:1719-1988	KG	0.05



DRAWING NO.  
TME/SKETCH/1016