

**PURCHASE SPECIFICATION**  
**FOR**  
**GENERATOR PANEL CURRENT TRANSFORMERS**  
**FOR**  
**OIL RIG APPLICATION**



SPECIFICATION NO : OR 12368  
REVISION NO : REV 00  
DATE : 11.04.09

**Prepared By:**

*Sanjay Ahirwar* 11.4.09  
(Sanjay Ahirwar)  
Dy Manager (D)

**Checked By:**

*Sanjay Ahirwar* 11.4.09  
f (Rajesh Agrawal)  
Manager (D)

**Approved By:**

*Dipankar Sarma*  
11/04/09  
(Dipak Sarma)  
DGM-CEE

**CONTROL EQUIPMENT ENGINEERING DIVISION**  
**BHARAT HEAVY ELECTRICALS LIMITED- BHOPAL**

## Specification for Current Transformers for Generator Panel

### 01. Introduction

This specification covers the requirement of in-door current transformers (CT) for use in generator panel for oil rig application. CT as per item no-1 is used to get current feedback from 3 phase, 600VAC, 50Hz system (Floating neutral) for closed loop control as well as metering purpose and CT as per item no-2 is used for energy meters. Both the CT should be suitable for operation at an ambient temperature of 55 degree C and high degree of saline atmospheric condition with relative humidity of 95% as applicable to oil rig application.

### 02. General Requirement

- a) The CT shall be 3kV grade epoxy cast resin insulated rectangular type current transformer (opening in the centre to accommodate primary conductor thru it). The CT shall have overall dimension & mounting details as per attached drawing. All the terminals shall be screw type and suitably marked. The polarity marking on the CT shall also be mentioned appropriately.
- b) The general requirement of the CT for item no-1 is per following details.

#### Item No-1:(BHEL Style Code: BP9048127181)

Type	:	Rectangular type measuring CT
CT ratio	:	1500 / 2.5A
VA Burden	:	15VA
Insulation	:	Cast resin suitable for 3kV AC Grade
Accuracy Class	:	1.0
Short time rating	:	50kA(RMS) for 1 second
CT Colour	:	Brick red
Applicable IS	:	IS-2705
Dimensional details	:	As per Drg No-47211010274, Rev 00, <i>Item.01</i>

- c) The general requirement of the CT for item no-2 is per following details.

#### Item No-2 :(BHEL Style Code: BP9048127190)

Type	:	Rectangular type measuring CT
CT ratio	:	1500 / 5A
VA Burden	:	15VA
Insulation	:	Cast resin suitable for 3kV AC Grade
Accuracy Class	:	1.0
Short time rating	:	50kA(RMS) for 1 second
CT Colour	:	Brick red
Applicable IS	:	IS-2705
Dimensional details	:	As per Drg No-47211010274, Rev 00, <i>Item.02</i>

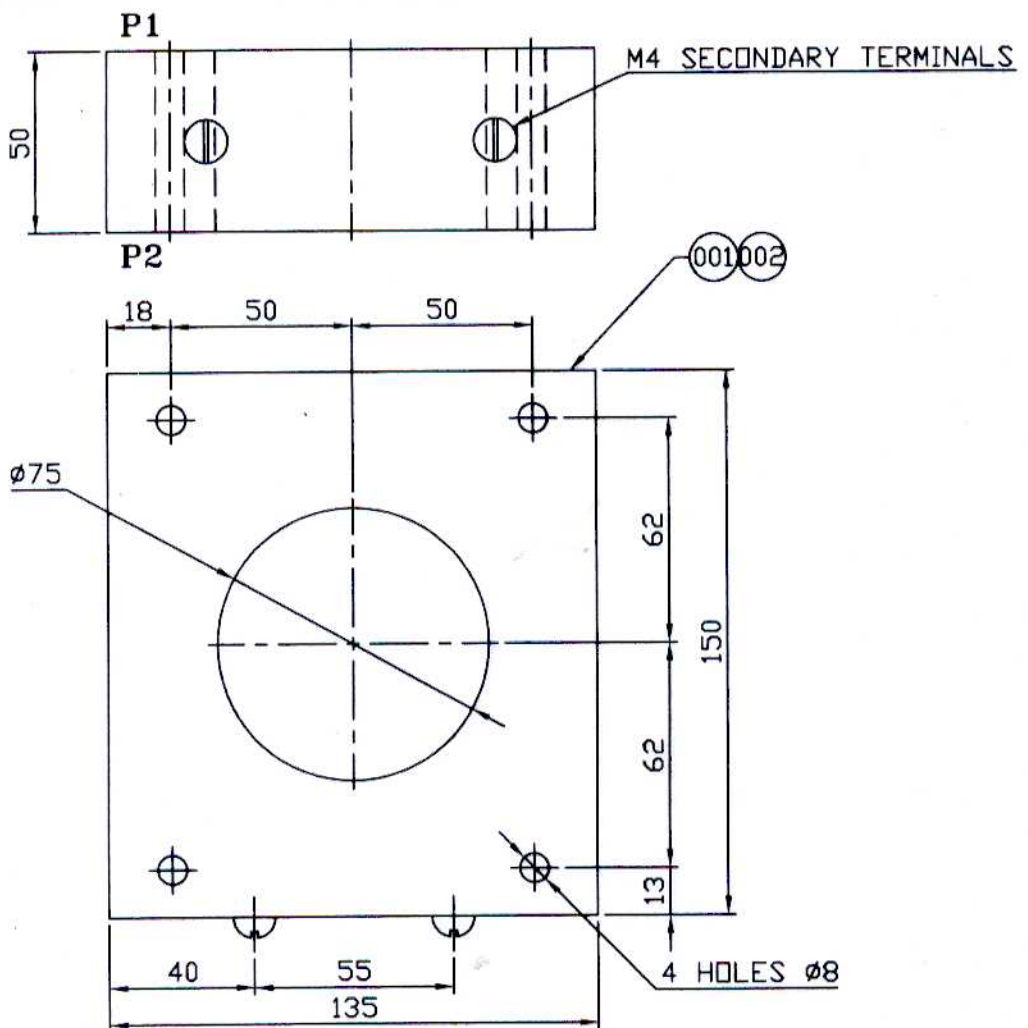
- d) For connections on secondary side, the secondary terminal shall be of M4/M5 size and will be integral part of CT casting.



(ALL DIMENSIONS ARE IN MM)

THE INFORMATION ON THIS DOCUMENT IS THE PROPE OF BHARAT HEAVY ELECTRICALS LIMITED. IT MUST NOT BE USED DIRECTLY OR INDIRECTLY IN ANY WAY DETRIMENTAL TO THE INTEREST OF THE COMPANY.

REV.	DATE	ALTERED	REV.	DATE	ALTERED	ADDITIONAL INFORMATION	OIL RIG
		CHECKED			CHECKED		
		APPROVED			APPROVED		
						STATUS OF DRAWING	
						DISTRIBUTION OF PRINTS	



ALL DIMENSIONS ARE IN M.M (TOL. +/-2)

EPOXY CAST COLOUR - BRICK RED.	002	660V GR INSULATION CT 1500.5A, 15VA	BP 9048127190					
	001	1.5KV GR INSULATION CT 1500.2.5A, 15VA	BP 9048127181					
REMARKS	ITEM NO.	DESCRIPTION	DRAWING NO.	STD	MATL. CODE	A/C	UNIT	UNIT WT.
					MATL. SPECN.			QTY.

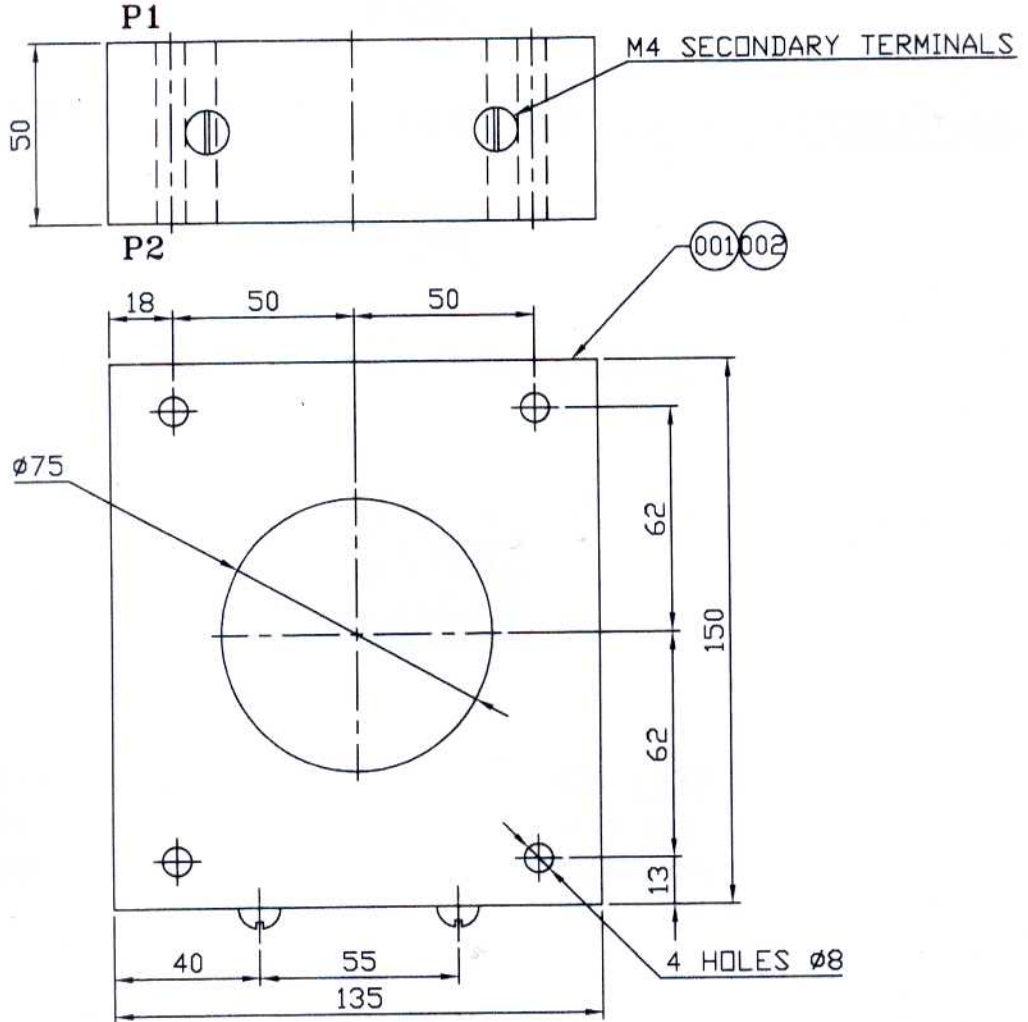
INVENTORY NO.	SIGN. & DATE	BHARAT HEAVY ELECTRICALS LTD. BHOPAL	DRN.	NAME	SIGN	DATE	NO. OF VAR.
			CKD.	SA		28.03.09	-
			APPD.	RKA		17.4.09	-
DEPT. OFE	UNTOL. DIMS. GR.	SCALE	WEIGHT(KG)	REF. TO ASSY. DRG.	ITEM NO.	NO. OF ITEM	
CODE 425		1:2	-	-	-	001	
/TITLE				DRAWING NO.		REV	
CT FOR GEN PANEL				4 721 10 10274		00	
				SHT. NO 01	NO. OF. SHT.	01	

INVENTORY NO. 47211010274  
 कम्प्यूटर ड्राइंग  
 पहेल कर्माकर

(ALL DIMENSIONS ARE IN MM)

THE INFORMATION ON THIS DOCUMENT IS THE PROPERTY OF BHARAT HEAVY ELECTRICALS LIMITED. IT MUST NOT BE USED DIRECTLY OR INDIRECTLY IN ANY WAY DETRIMENTAL TO THE INTEREST OF THE COMPANY.

REV.	DATE	ALTERED	REV.	DATE	ALTERED	ADDITIONAL INFORMATION	OIL RIG
		CHECKED			CHECKED		
		APPROVED			APPROVED		
						STATUS OF DRAWING	
						DISTRIBUTION OF PRINTS	



ALL DIMENSIONS ARE IN M.M (TOL. +/-2)

REF. DRG. NO.	EPOXY CAST COLOUR - BRICK RED.	002	660V GR INSULATION CT 1500.5A, 15VA	BP 9048127190			
	EPOXY CAST COLOUR - BRICK RED.	001	1.5KV GR INSULATION CT 1500.2.5A, 15VA	BP 9048127181			
REMARKS	ITEM NO.	DESCRIPTION	DRAWING NO.	STD	MATL. CODE	A/C	UNIT
					MATL. SPECN.		UNIT WT. QTY.

SIGN. & DATE	DEPT. OFE CODE 425	UNTO. DIMS. GR. 	SCALE 1:2	WEIGHT(KG) -	REF. TO ASSY. DRG. -	NAME	SIGN	DATE	NO. OF VAR.
						DRN. RSR	<i>[Signature]</i>	28.03.09	-
INVENTORY NO.	कम्प्यूटर दुर्भाग फाइल क्रमांक 47211010274	BHARAT HEAVY ELECTRICALS LTD. BHOPAL 	/TITLE CT FOR GEN PANEL	DRAWING NO. 4 721 10 10274	SHT. NO 01	NO. OF SHT. 01	NO. OF ITEM	REV	
							-	001	00