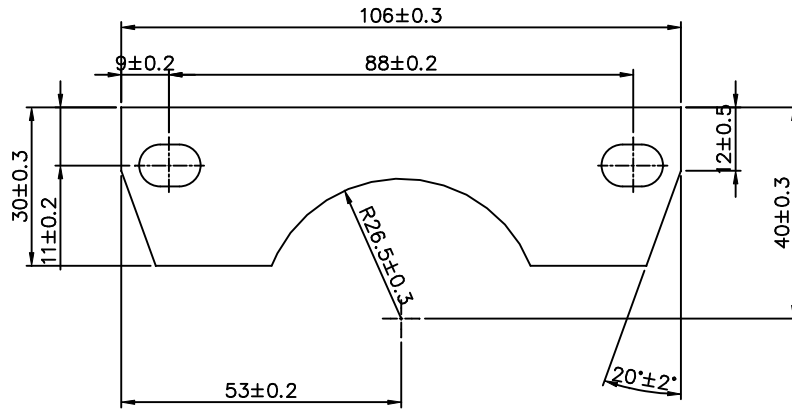


THE INFORMATION ON THIS DOCUMENT IS THE PROPERTY OF BHARAT HEAVY ELECTRICALS LIMITED IT MUST NOT BE USED DIRECTLY OR INDIRECTLY IN ANY WAY DETRIMENTAL TO THE INTEREST OF THE COMPANY

FIRST ANGLE PROJECTION (ALL DIMENSIONS ARE IN mm)

| | | | | | | | | |
|-----------------------------|---------------|--------------------------------|--|-------------|--------------------------------|----------------------|--------------------------|-------|
| REV. 06 | DATE 20.12.04 | ALTERED CHECKED APPROVED | REV. 05 | DATE 3.4.2K | ALTERED CHECKED APPROVED | sd/- sd/- sd/- | ADDITIONAL INFORMATION - | |
| DRG. REDRAWN (DCA.20225) | | | TOOL NO.1492707 DELETED 12 DIGIT STYLE CODE NO.WERE 6 DIGIT FOR IT.001 & 002 (DCA.9934) | | | STATUS OF DRAWING B | | |
| | | | DISTRIBUTION OF PRINTS | | | SWE 1 | SWM 3 | TCX 1 |



001

TOOL LIST :-
1492707 PIERCING & CROPPING TOOL FOR IT.001 & 002
1492708 PIERCING & CROPPING TOOL FOR IT.002

RELEASED

| | | | | | |
|------------------|---|--|---|-----------------------------------|---|
| FILE NAME | BP9069430215 | 002 | 4.8TK.X30X106LG. G.S. REINFORCED POLYMAID | SG12719 | 0.021 |
| | BP9069430207 | 001 | 4.8TK.X30X106LG. G.S. REINFORCED POLYMAID | SG12719 | 0.021 |
| REMARKS | ITEM NO. | DESCRIPTION | MATL. CODE | UNIT | UNIT WT. |
| | | | MATL. SPCN. | KG. | QTY. |
| 28 → CARD TYPE-3 | 28 → CARD TYPE-1 | 28 → CARD TYPE-2 | | | |
| SIGN. & DATE | भारत हेवी इलेक्ट्रिकल्स लिमिटेड भोपाल BHARAT HEAVY ELECTRICALS LTD. BHOPAL | | | अनुमोदित RKG | 10.8.82 |
| | कलाकार BDV | डिजाइनर MVG | ड्राफ्ट्समैन RKG | 10.8.82 | |
| | मद. क्र. 055 | मद. क्र. 061 | मद. क्र. 002 | | |
| INVENTORY NO. | DEPT SWE | अन. टा. माप की रेजी UNTD.DIMS. GR. M | अनुपात SCALE 1:1 | भार. वजन WEIGHT (KG.) | उत्प. सं. का संकेत REF. TO ASSY. DRG. 35211001500 |
| शीट/क/ टाइटल | कोड CODE 409 | | | | मद. संख्या NOL. OF ITEM |
| CENTRING RING | | | आरेख क्र./DRAWING NOL. 4 521 10 01539 | | पुन./REV. 06 |
| | | | पृष्ठ क्र./SHT. No. 01 | पृष्ठों की संख्या/NOL. OF SHT. 02 | |