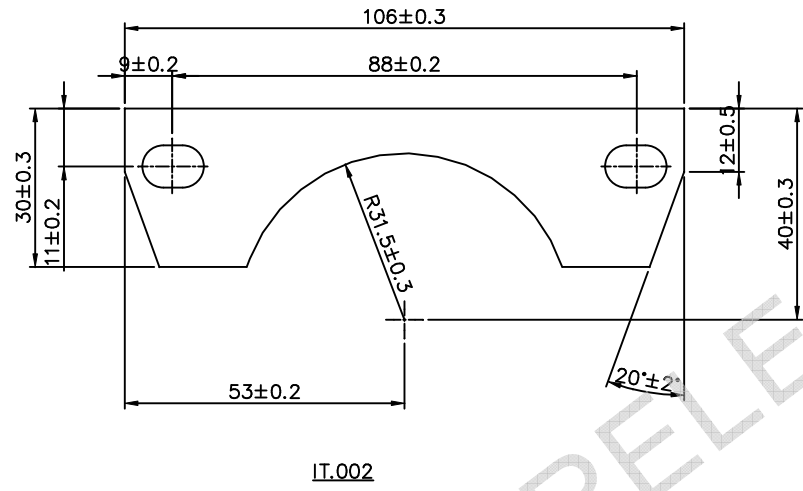


THE INFORMATION ON THIS DOCUMENT IS THE PROPERTY OF BHARAT HEAVY ELECTRICALS LIMITED IT MUST NOT BE USED DIRECTLY OR INDIRECTLY IN ANY WAY DETRIMENTAL TO THE INTEREST OF THE COMPANY

FIRST ANGLE PROJECTION (ALL DIMENSIONS ARE IN mm)

REV. 06	DATE 20.12.04	ALTERED CHECKED APPROVED	REV. 05	DATE 3.4.2K	ALTERED CHECKED APPROVED	sd/- sd/- sd/-	ADDITIONAL INFORMATION -	
DRG. REDRAWN SHT.02 ADDED (DCA.23669)			TOOL NO.1492707 DELETED 12 DIGIT STYLE CODE NO.WERE 6 DIGIT FOR IT.001 & 002 (DCA.9934)			STATUS OF DRAWING B		
			DISTRIBUTION OF PRINTS			SWE 1	SWM 3	TCX 1



RELEASED

FILE NAME	65		75	25	27	29	58	59	34	45	55	56	58	65
	REMARKS	ITEM NO.	DESCRIPTION			STD	MATL. CODE	MATL. SPCN.	UNIT	UNIT WT.	QTY.			
SIGN. & DATE	28 → CARD TYPE-3		28 → CARD TYPE-1			28 → CARD TYPE-2			<p>भारत हेवी इलेक्ट्रिकल्स लिमिटेड भोपाल BHARAT HEAVY ELECTRICALS LTD. BHOPAL</p>					
	DEPT SWE	अन. टोल. माप की त्रुटि UNTOOL.DIMS. GR.	अनुपात SCALE	भार. वजन WEIGHT (KG.)	उत्पादन का संकेत REF. TO ASSY. DRG.	मद क. नं. ITEM NO.	मद संख्या NOL. OF ITEM							
INVENTORY NO.	कोड CODE 409	M	1:1	-	35211001500	055	002	CENTRING RING						
	शीट/क/ TITLE	पृष्ठ क./SHT. No. 02		पृष्ठों की संख्या/NOL. OF SHT. 02			आरेख क./DRAWING NOL. 4 521 10 01539					पुनः/REV. 06		