



**TECHNICAL SPECIFICATION FOR BUSBAR SHROUDS/SEALING  
COVERS OF VM12/VM36 SWITCHGEARS**

**NOTE TO SUPPLIER:**

Technical evaluation of offer shall be based on data furnished in Table-A.

**(1) Scope:**

Supply of moulded insulating PVC shrouds suitable to cover various types of joints between two conductors for switchgear application. The thickness of PVC Shroud shall be 4±0.5mm (for 12kV application) and 5±0.5mm (for 36kV application). Thickness of PVC sealing covers shall be 3±0.5mm.

PVC Shrouds and Sealing Covers will be supplied inline with BHEL drawing enclosed with the enquiry. Typical view of the Shroud & Sealing cover as shown in Fig.1.

**(2) Colour : BLACK / RED.**

**(3) Properties: As per Table-A below:**

S. No.	Property	Test Method	Required Value	Value Offered
1.	A.C. Voltage withstand	H.V test between Phase to earth 35 kV/1 minute	Should be able to withstand at min distance of 90mm	
2.	Volume Resistivity	ASTM D257	1X10 <sup>9</sup> - 1X10 <sup>11</sup> ohm-cm	
3.	Flammability	UL94	Self-Extinguishing (UL94-V0 Compliant)	
4.	Water absorption	ASTM D570	0.8% (max.)	
5.	Tensile Strength	ASTM D 638	10 MPa	
6.	Ultimate elongation	ASTM D 638	300%	
7.	Hardness		75-85 Shore A	

**COPYRIGHT AND CONFIDENTIAL**

The information on this document is the property of Bharat Heavy Electricals Limited  
It must not be used directly or indirectly in any way detrimental to interest of Co.

<b>REV.</b>	<b>02</b>	<b>PRINTS TO:-</b>	<b>APPROVED</b>		
<b>ALTD.</b>	<b>AKHIL</b>	SWM(PLNG) SWM (TEST) QCX (SCR) CONTRACT (SWE )	N BHOGAL		
<b>APPD.</b>	<b>M.A.K.</b>		<b>PREPARED</b>	<b>ISSUED</b>	<b>DATE</b>
<b>DATE.</b>	<b>02.11.2015</b>		AKHIL	APS	20.04.2014



**PRODUCT STANDARD**  
SWITCHGEAR ENGINEERING DIVISION

SG12426 REV. 02

PAGE 2 OF 3

**(4) Documents To Be Furnished By The Vendor Along With Their Offer:-**

- (a) Test certificate for all the tests specified in Table-A of this specification.
- (b) List of previous supplies of similar items for switchgear application along with the year of supply. Party should have minimum of 2 years of experience in supply of similar components.

**(5) Acceptance Criteria:**

- (a) Dimensional checks as per BHEL approved drawing.
- (b) Tests mentioned at Sl. No. 1, 2 & 4 of table-A of this specification shall be conducted on 2 No. samples from each lot for verification of properties.

**(6) Supply Condition:**

- (a) Shrouds/Sealing cover shall be properly packed in corrugated box to avoid transit damage and scratches during handling.

**(7) Identification :-**

Supplier shall provide appropriate markings on each components giving following  
Details on inside surface-  
Supplier Identification Mark.  
Drawing part no.

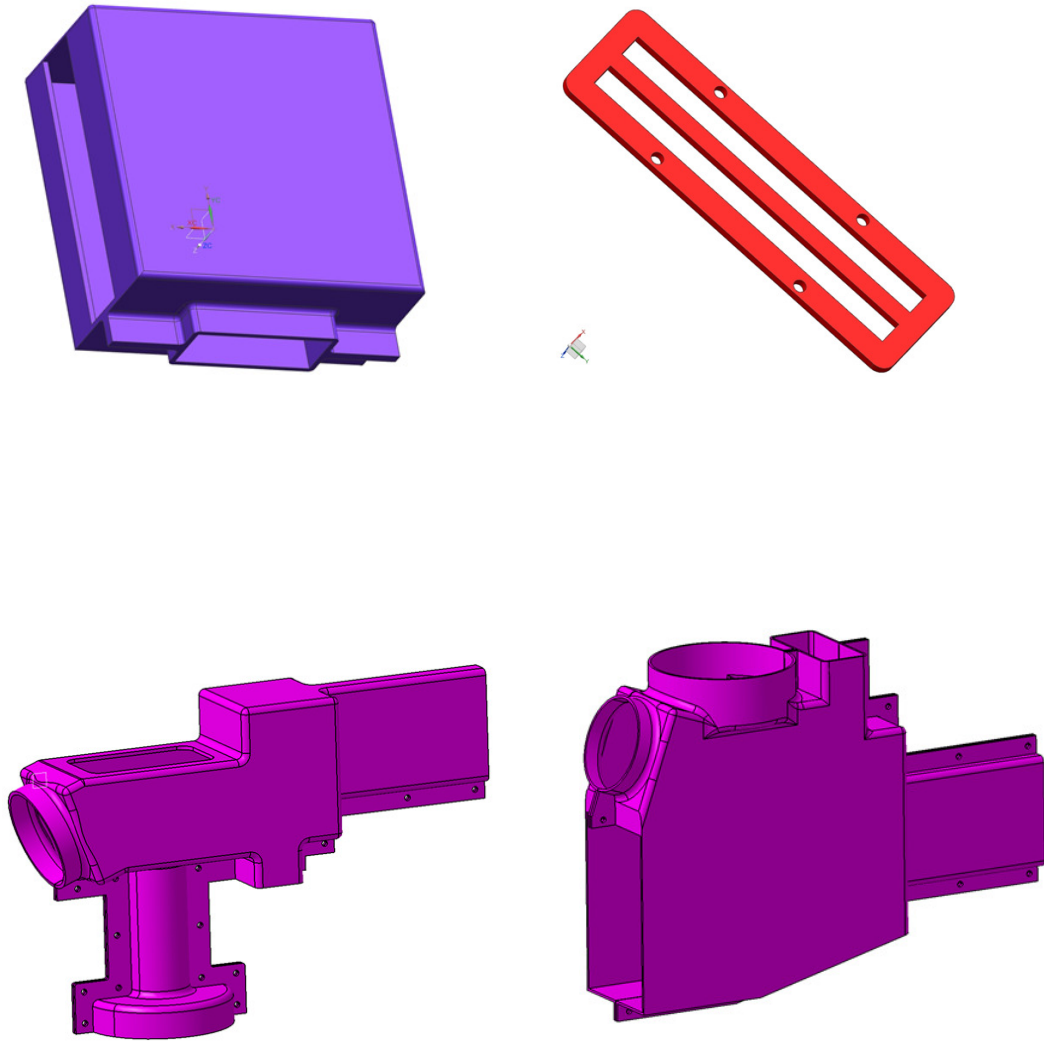
**COPYRIGHT AND CONFIDENTIAL**

The information on this document is the property of Bharat Heavy Electricals Limited  
It must not be used directly or indirectly in any way detrimental to interest of Co.



**COPYRIGHT AND CONFIDENTIAL**

The information on this document is the property of Bharat Heavy Electricals Limited  
It must not be used directly or indirectly in any way detrimental to interest of Co.



**FIG-1**