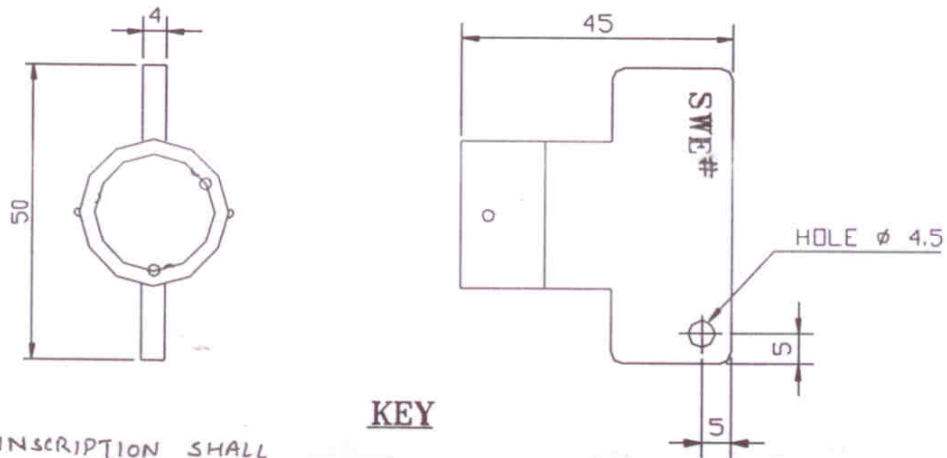
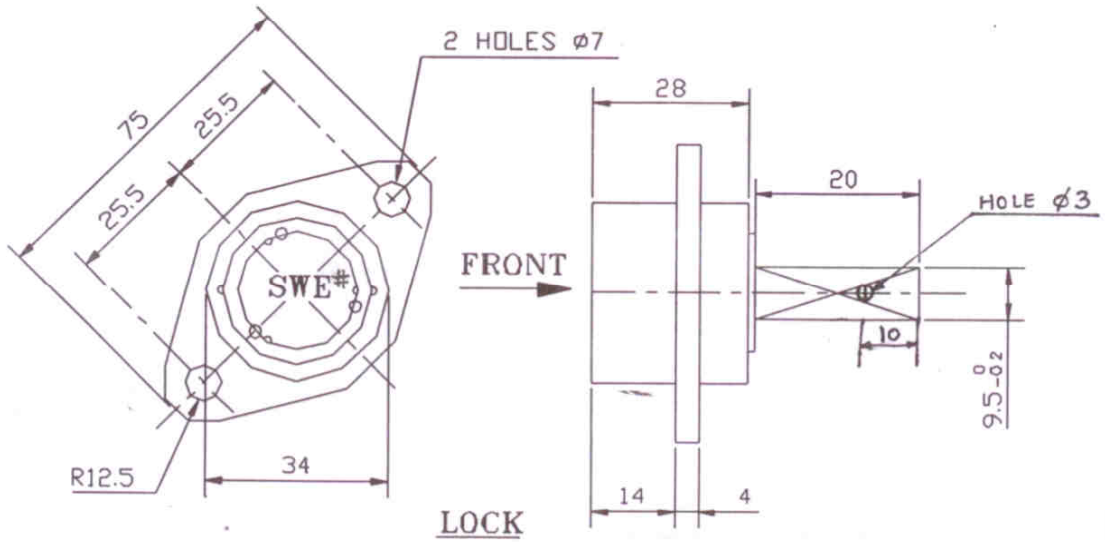




ALL DIMENSIONS ARE IN mm

COPYRIGHT AND CONFIDENTIAL  
THE INFORMATION ON THIS DOCUMENT IS THE PROPERTY OF BHARAT HEAVY ELECTRICALS LIMITED  
IT MUST NOT BE USED DIRECTLY OR INDIRECTLY IN ANY WAY DETRIMENTAL TO THE INTEREST OF THE COMPANY



# FINAL INSCRIPTION SHALL  
BE AS PER DETAILS FURNISHED VIDE ANNEXURE-I.

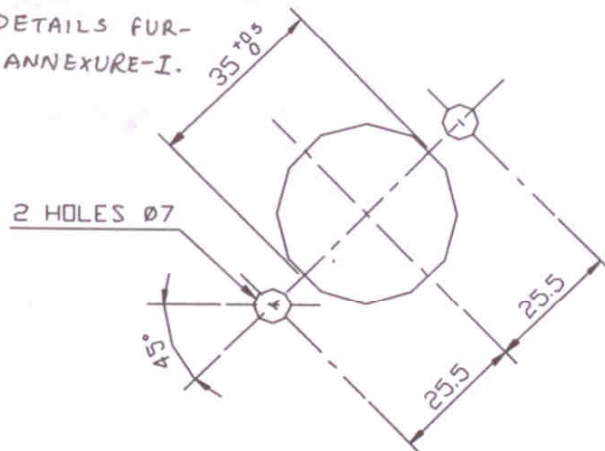


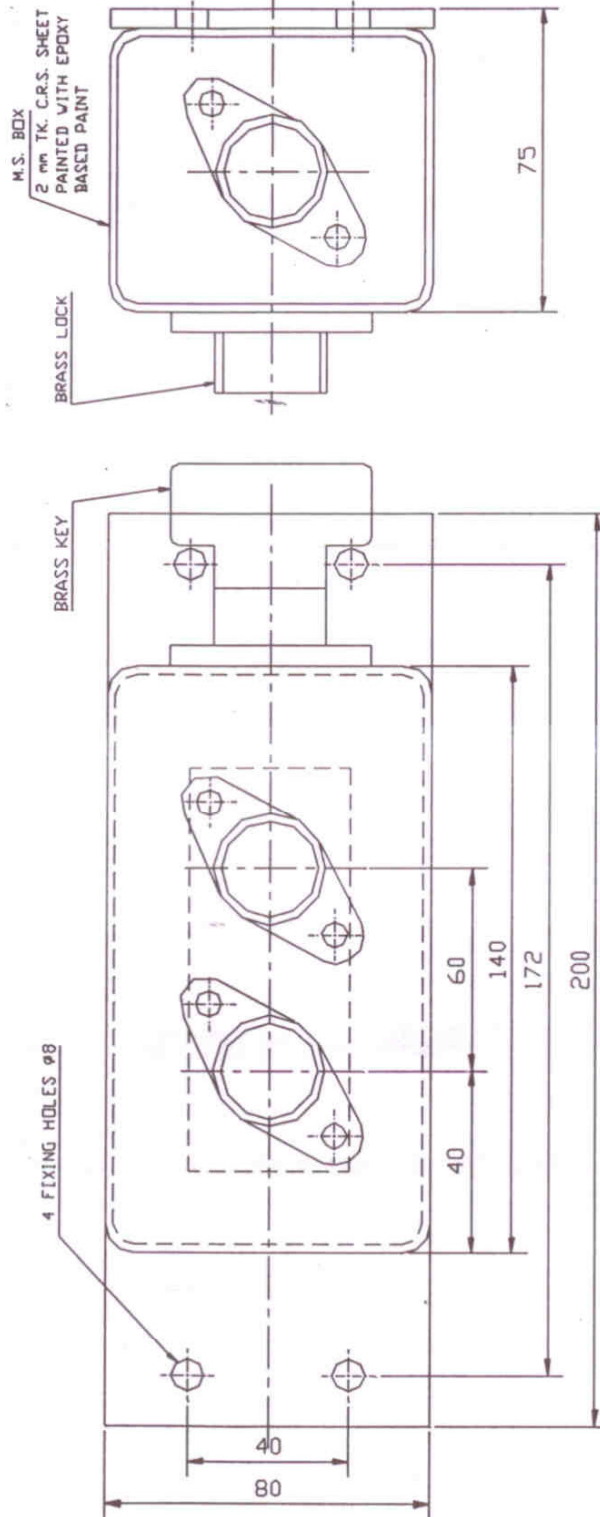
FIG.-1

DRILLING PLAN  
MECHANICAL INTERLOCK AND KEY



ALL DIMENSIONS ARE IN mm

KEY EXCHANGE BOX ONE END LOCK WITH KEY & TWO FRONT LOCKS WITHOUT KEYS



**THE LOCKS:-**

THE LOCKS ARE MOUNTED IN A SINGLE ROW ON THE FRONT OF THE HOUSING WITH THE CONTROL LOCK ON THE RIGHT HAND SIDE.

THE MECHANISM INSIDE THE BOX ENSURES THAT.

1. THE CONTROL LOCK KEY IS TRAPPED WHEN ALL OR ANY OF THE FRONT KEYS ARE REMOVED.
2. WHEN THE CONTROL KEY IS REMOVED ALL THE FRONT KEYS ARE TRAPPED WITHIN THEIR LOCKS

FOR DIMENSIONS OF LOCK & KEY REF. FIG. 1

**NOTES:-**

1. GENERAL FABRICATION TOLERANCE  $\pm 2$  mm.
2. FIXING HOLES CENTRE TO CENTRE DISTANCE TOLERANCE  $\pm 1$  mm.
3. THE VIEW SHOWN ABOVE IS WITH TWO NOS. FRONT LOCK INCREASE MORE THAN TWO NOS. LOCKS ARE REQD. THE SAME SHALL BE MOUNTED AT A CENTRE DISTANCE OF 60 mm.

**FIG.-2**

COPYRIGHT AND CONFIDENTIAL

THE INFORMATION ON THIS DOCUMENT IS THE PROPERTY OF BHARAT HEAVY ELECTRICALS LIMITED  
IT MUST NOT BE USED DIRECTLY OR INDIRECTLY IN ANY WAY DETRIMENTAL TO THE INTEREST OF THE COMPANY