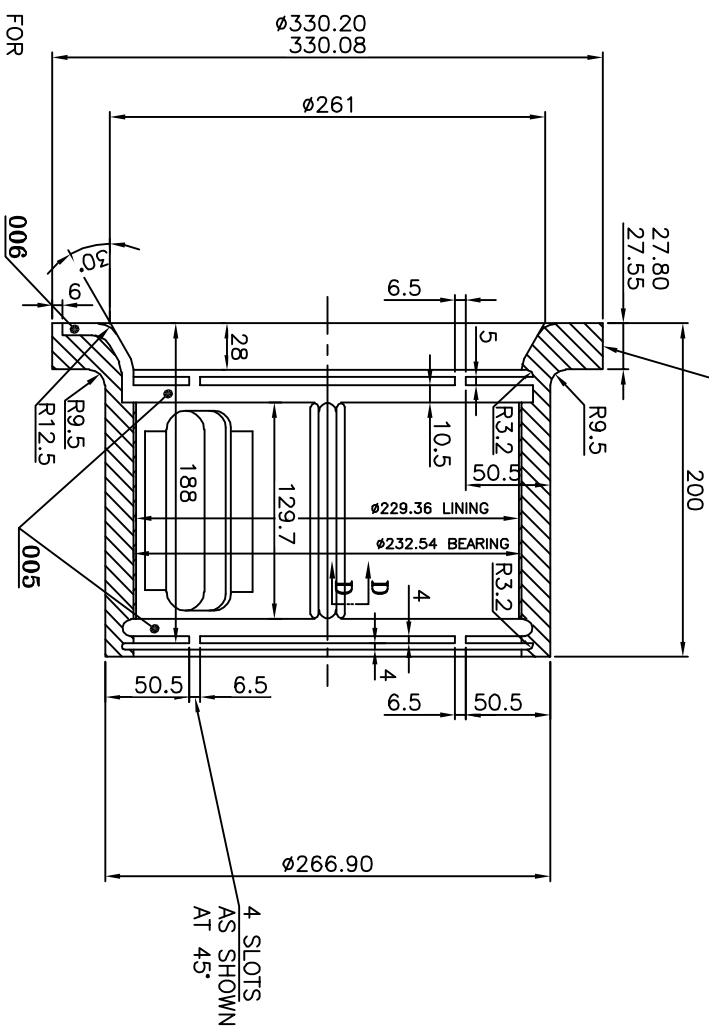
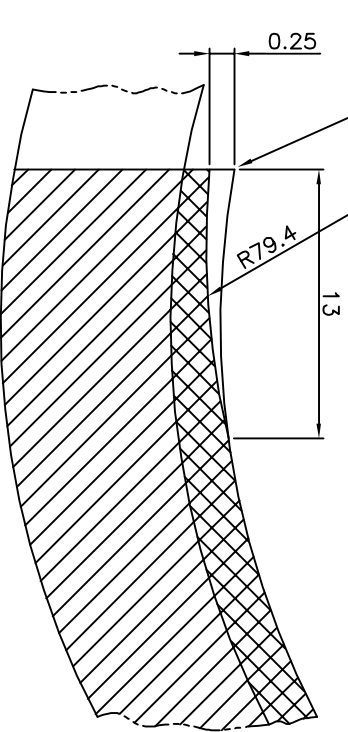
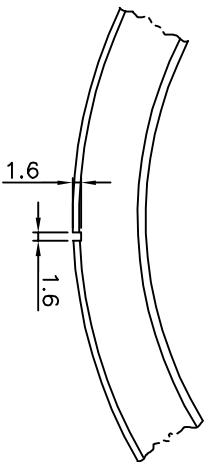


SECTION - 'AA'
SEE SECTION - 'EE' FOR
DETAIL OF RELIEF

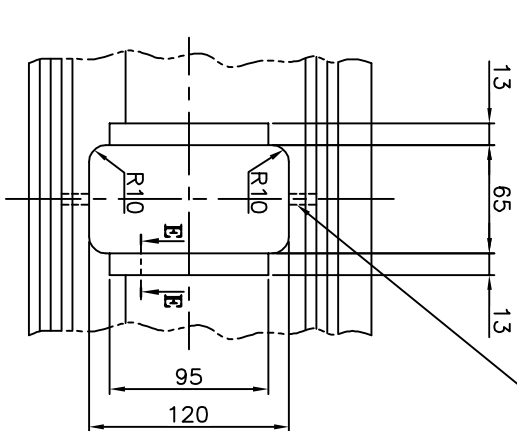


SUPPLIERS IDENTIFICATION
MONTH & YEAR TO BE PUNCHED
IN 3MM HIGH LETTER

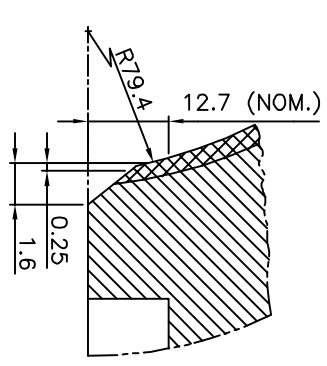
ENLARGED VIEW LOOKING ON
ARROW - 'C'



ENLARGE VIEW OF SECTION 'EE'



VIEW LOOKING ON ARROW - 'X'



ENLARGE VIEW OF SECTION - 'DD'

AXLE BEARING CE & PE
WITH NYLON RING

TME / SKETCH / 1276