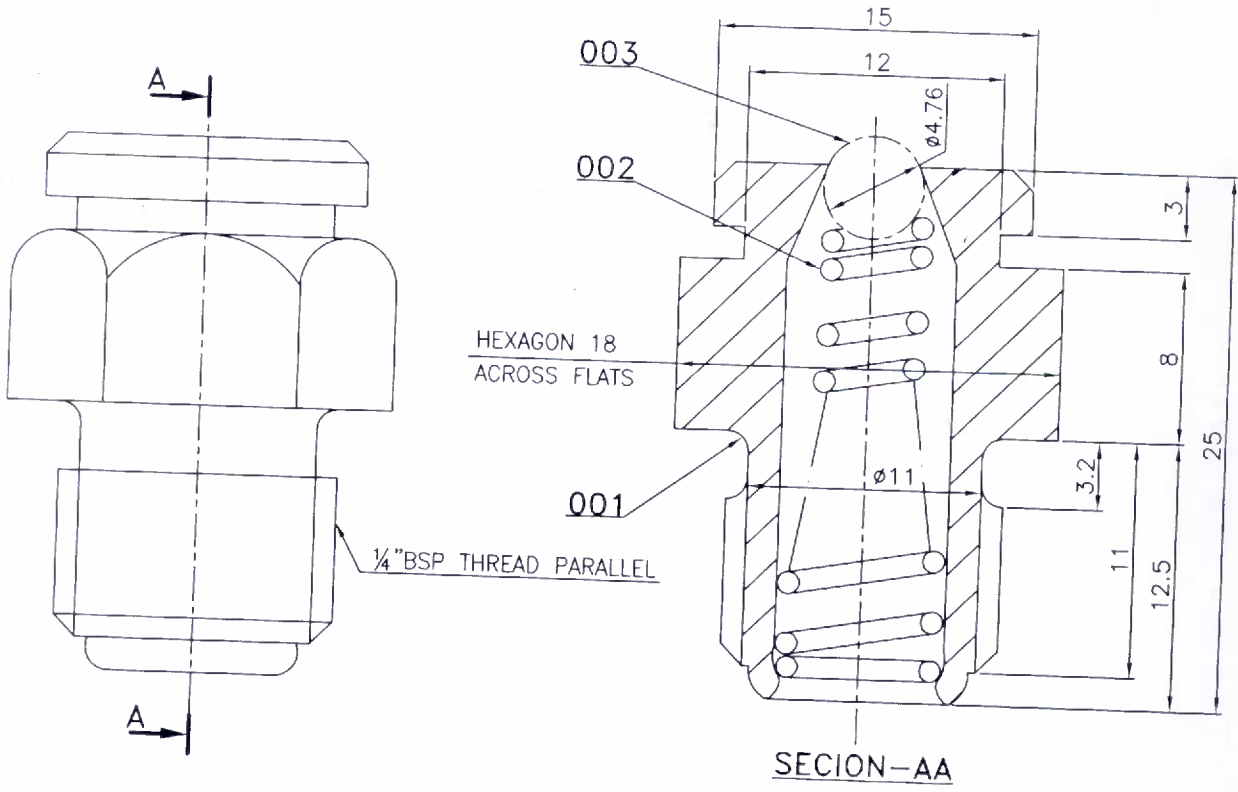


DRAWING NO. TME/SKETCH/1047



NOTES:-

- GREASE NIPPLE TO BE ZINC PLATED.

QTY	REMARK	IT. NO.	DESCRIPTION	MATL. SPECN.	UNIT	UNIT WT.
002		003	BALL	AISI304	KG	
002		002	VALVE SPRING	IS:4454 PART-1	KG	
001		001	GREASE NIPPLE BODY	IS:319-89	KG	

TITLE

GREASE NIPPLE

DRAWING NO.

TME/SKETCH/1047