

The information on this document is the property of B. AT HEAVY ELECTRICALS LIMITED. It must not be used directly or indirectly in any way detrimental to the interest of the Company.

REF C600679 (F-01)
COMP. drg



Form No. 2038

उत्पाद मानक
परिणामित्र
शाप/अभि. निर्देश

PRODUCT STANDARD
TRANSFORMER
SHOP/ENGG INSTRUCTONS

TR 20029F

1 प्रष्ठों ↓

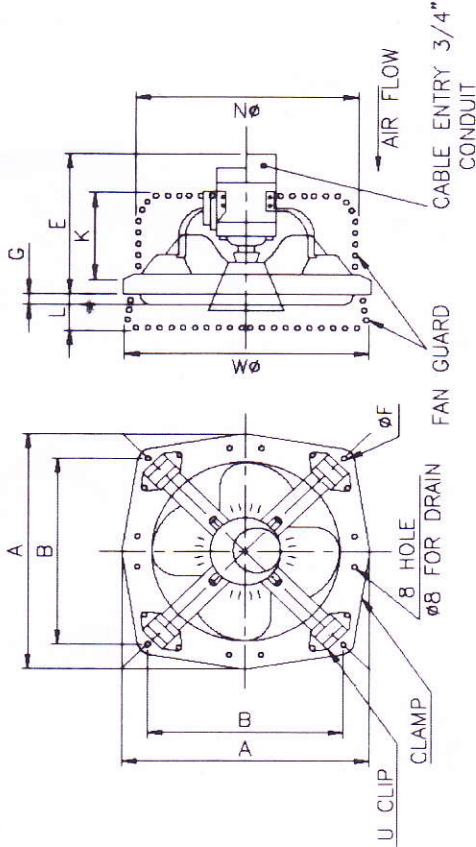
PAGE 1 OF 1

**TITLE :- PROPELLAR FANS
(RING MOUNTED)**

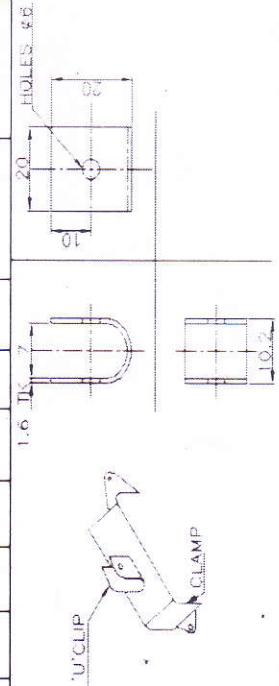
FORM OF RUNNING:-

AIR DISCHARGE AWAY FROM THE MOTOR ROTATION CLOCKWISE WHEN LOOKING AT THE MOTOR SIDE OF THE FAN, AS SHOWN IN THE FIGURE.

DIMENSIONS OF FAN GAURDS					
FAN SIZE	K	L	M	N	
φ380	140	65	φ440	φ405	
φ915	270	65	φ1020	φ980	
φ610	250	65	φ660	φ700	
φ460	-	61	-	-	



S.L. NO.	STYLE NO.	IMPELLER DIAMETER	SPEED RPM	INPUT WATTS MAX.	NOM. VOLTAGE ±10%	F.L. CURRENT	PH	A	B	C	E (APP.)	F	G	APPROX. WT. IN KG WITHOUT FAN GAURDS	FREE AIR DELIVERY m ³ /Hr
01		380 (15")	900	93.5	415V	0.2A	3	467	375	406	285	10	5	10	2460
02	BP9046015572 ST601557	900/915 (36")	700	1320	415V	2.5A	3	1060	841	952	435	17	7	60	28000
03	BP9046053881 ST605388	600/610 (24")	900	550	415V	0.9A	3	718	594	635	359	11	5	35	10450
04	BP9046055574 ST605557	450/460 (18")	900	145	415V	.35A	3	546 SQ	449	483	280	11	12.5	13.1	4500
05		900/915 (36")	550	770	415V	1.5A	3	1060	841	952	435	17	7	60	22100
06		600/610 (24")	700	264	415V	0.5A	3	718	594	635	359	11	5	35	7900



NOTES:- 1. FOR DETAILED SPECIFICATION OF FANS, REFER DRG. NO. TR 10014F PAGE 1 TO 5.
2. U CLIP SHELL BE WELDED ON CLAMP AS SHOWN FOR MTG. BOTTOM FAN GUARD.

NOTES TO D/MAN:-
1. FOR FAN GAURDS REFER DRG. 2499000010 & 2499000027.
2. STYLE NOS. FOR FAN AND FANGAURD ARE TO BE CALLED ON M.I.D.

पुन Rev. 11
रि. Dt. 130711

SERIAL NO-05 AND 06 ADDED.
NiTiN
AKD

वितरण:-
DISTRIBUTION:-
TRE/TRM/FTM
TRX/TTG/
QC-TCB/QA-TCB/
JHANSI

स्वीकृत किया
APPROVED:- Sd /-SRR, MCJ, SNA
तैयार किया
PREP.D.
Sd/- S.J.

जारी किया
ISSUED
टीआई मानक
TRE/STD.

दिनांक
DATE
12.04.83